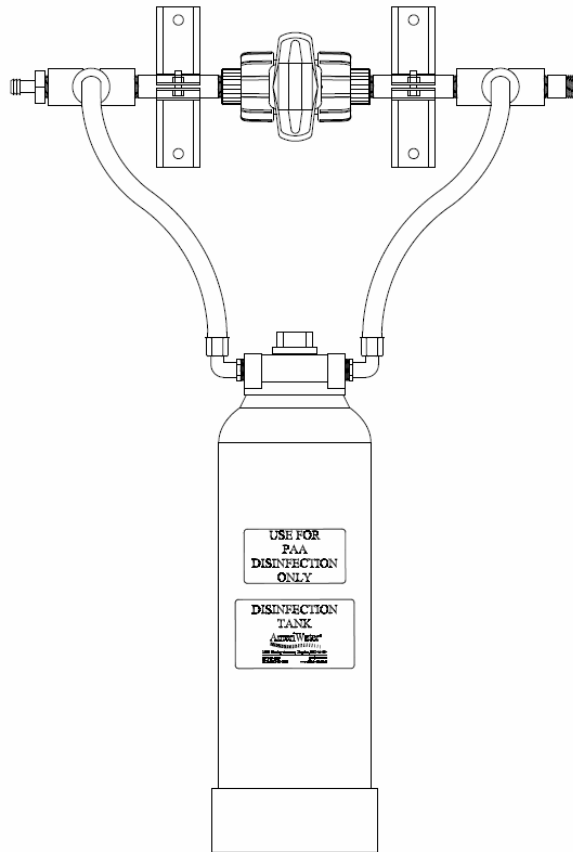




# DIRECT FEED LOOP DISINFECTION TANK AND HEADER INSTALLATION & OPERATION MANUAL



**Manufactured With Pride  
In The USA**

[www.amerewater.com](http://www.amerewater.com) • 800-535-5585

---

AmeriWater • 3345 Stop 8 Rd • Dayton, OH 45414

P/N 98-0105  
Rev. A

**TABLE OF CONTENTS**

**SECTION 1, USING MRO DIRECT FEED LOOP DISINFECTION**

INSTRUCTIONS ..... 2

**SECTION 2, REPLACEMENT PARTS**

LIST ..... 3

**SECTION 3, DRAWINGS**

MRO2/03 DIRECT FEED LOOP DISINFECTION, .50" HEADER W/TANK ..... 4  
MRO2/03 DIRECT FEED LOOP DISINFECTION, .75" HEADER W/TANK ..... 5  
DIRECT FEED LOOP DISINFECTION HEADER, .50" ..... 6  
DIRECT FEED LOOP DISINFECTION HEADER, .75" ..... 7

## **SECTION 1, USING MRO DIRECT FEED LOOP DISINFECTION**

**WARNING: DISINFECTION NOT TO BE USED WHILE PATIENTS ARE BEING TREATED!**

### **INSTRUCTIONS**

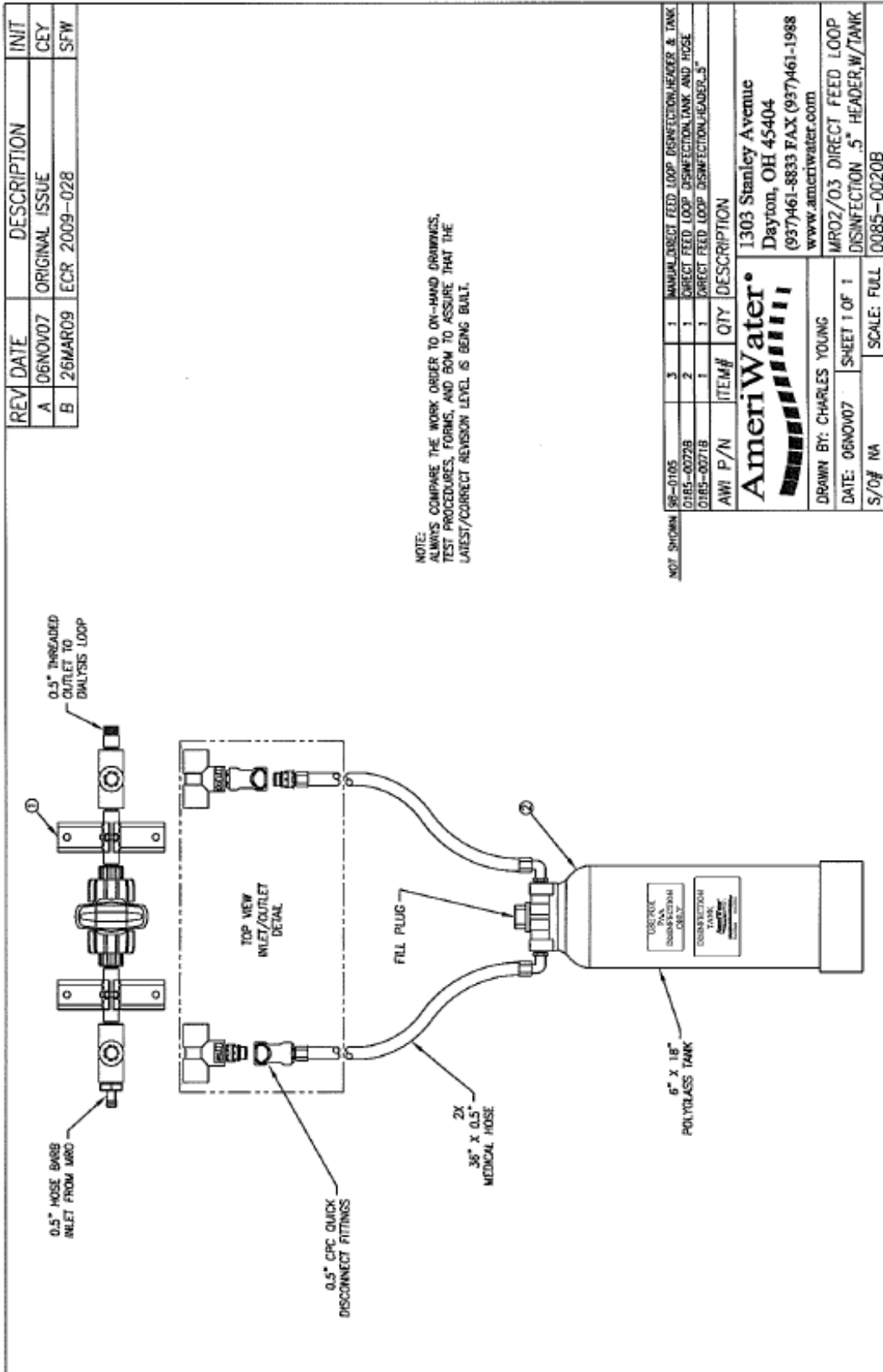
- 1. REMOVE THE FILL PLUG FROM THE TANK HEAD; DRAIN TANK, AND ADD 150cc OF PERACIDIN (OR MINNCARE).**
- 2. SECURE THE FILL PLUG BACK ONTO THE TANK.**
- 3. CONNECT INLET & OUTLET HOSES TO DISINFECTION HEADER.**
- 4. COMPLETELY CLOSE THE DISINFECTION HEADER VALVE.**
- 5. TURN ON THE RO.**
- 6. VERIFY THE CONCENTRATION OF THE DISINFECTANT AT ALL POINTS OF USE IN THE LOOP IS  $\geq$  250ppm.**
- 7. COMPLETELY SHUT OFF THE LOOP; AND ALLOW TO DWELL FOR A MINIMUM OF 60 MINUTES.**
- 8. DISCONNECT THE INLET AND OUTLET HOSES FROM THE DISINFECTION HEADER.**
- 9. COMPLETELY OPEN THE HEADER VALVE, AND RUN IN THE RO MODE TO THOROUGHLY RINSE-OUT DISINFECTANT AT ALL POINTS OF USE. (THIS SHOULD BE PERFORMED FOR A MINIMUM OF 60 MINUTES; TO ACHIEVE A TEST READING  $\leq$  3ppm OF THE RESIDUE DISINFECTANT).**

**WARNING: DO NOT TREAT PATIENTS UNTIL THE RESIDUAL DISINFECTANT IS  $\leq$  3ppm!**  
**WARNING: THESE DIRECT FEED LOOP SYSTEMS SHOULD BE USED FOR DISINFECTION ONLY!**

## SECTION 2, REPLACEMENT PARTS LIST

Description	Part Number
Q-CON,CPC,FEMALE COUP ,W/SHUT OFFx.5MPT	16-0034
Q-CON,CPC,MALE COUP INSERT,WITH SHUT OFFx.5 MPT	16-0063
TANK,POLYGLASS 6x18,2.5"T/OP	26550622
TANK HEAD, 2.5"OP, 3/4" I/O, FILL PLUG	27-0016

SECTION 4, DRAWINGS



REV	DATE	DESCRIPTION	INIT
A	06NOV07	ORIGINAL ISSUE	CEY
B	26MAR09	ECR 2009-028	SFW

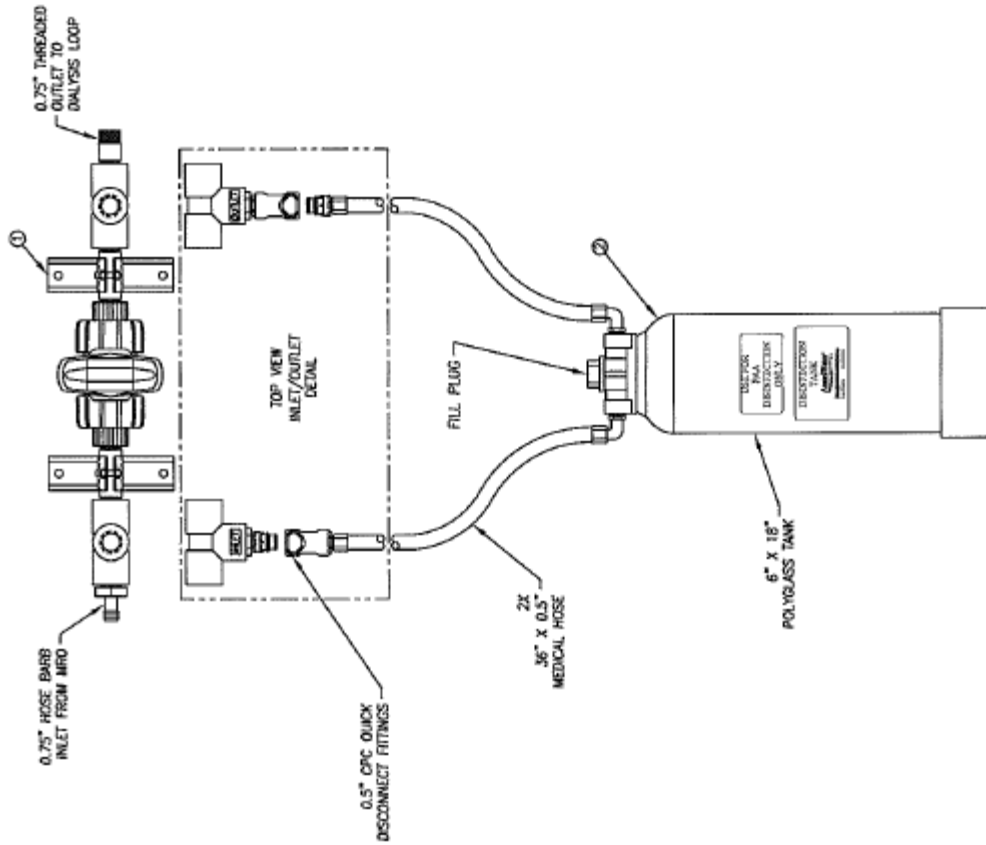
NOTE:  
ALWAYS COMPARE THE WORK ORDER TO ON-HAND DRAWINGS,  
TEST PROCEDURES, FORMS, AND BOM TO ASSURE THAT THE  
LATEST/CORRECT REVISION LEVEL IS BEING BUILT.

AWI P/N	ITEM#	QTY	DESCRIPTION
08-0105	3	1	MANUAL DIRECT FEED LOOP DISINFECTON/HEADER & TANK
0185-0072B	2	1	DIRECT FEED LOOP DISINFECTON TANK AND HOSE
0185-0071B	1	1	DIRECT FEED LOOP DISINFECTON/HEADSLS

**AmeriWater®**  
 1303 Stanley Avenue  
 Dayton, OH 45404  
 (937)461-8833 FAX (937)461-1988  
 www.amerewater.com

DRAWN BY: CHARLES YOUNG  
 DATE: 06NOV07  
 SHEET 1 OF 1  
 S/O# NA  
 SCALE: FULL  
 0085-0020B

REV	DATE	DESCRIPTION	INIT
A	26MAR09	ORIGINAL ISSUE	SFW



NOTE:  
ALWAYS COMPARE THE WORK ORDER TO ON-HAND DRAWINGS,  
TEST PROCEDURES, FORMS, AND BOM TO ASSURE THAT THE  
LATEST/CORRECT REVISION LEVEL IS BEING BUILT.

AWI	P/N	ITEM#	QTY	DESCRIPTION
BB-0105		3	1	MANUAL DIRECT FEED LOOP DISINFECTION HEADER & TANK
0185-00728		2	1	DIRECT FEED LOOP DISINFECTION TANK AND HOSE
0185-0078A		1	1	DIRECT FEED LOOP DISINFECTION HEADER .75"

NOT SHOWN

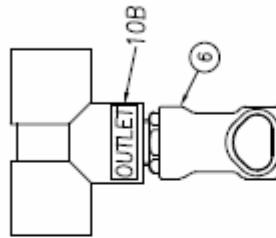
**AmeriWater®**  
1303 Stanley Avenue  
Dayton, OH 45404  
(937)461-8833 FAX (937)461-1988  
www.amerewater.com

DRAWN BY: STEVE WEBER  
DATE: 09MAR09 SHEET 1 OF 1  
S/O# NA

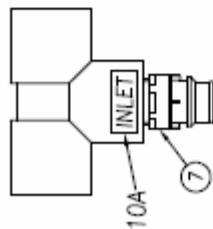
MRO2/03 DIRECT FEED LOOP  
DISINFECTION .75 HEADER W/TANK  
SCALE: FULL  
0085-0021A

REV	DATE	DESCRIPTION	INIT
A	06NOV07	ORIGINAL ISSUE	CEY
B	06MAR09	ECR 2009-028	SFW

TOP VIEW  
OUTLET

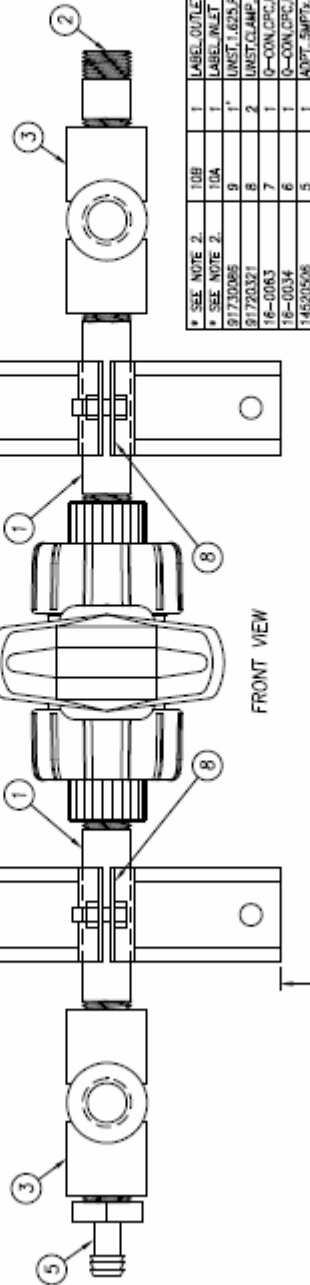


TOP VIEW  
INLET



4x  
Ø.38  
THRU

2x(6.0)  
SEE ITEM #9



FRONT VIEW

* SEE NOTE 2.	LOB	ITEM#	QTY	DESCRIPTION
* SEE NOTE 2.	LOA	1	1	LABEL,OUTLET
		1	1	LABEL,INLET
81730085	9	1	1	UNST.1.625.FIBERGLASS.PE
81720321	8	2	2	UNST.CAMP.5.PS.P170
16-0063	7	1	1	O-CON.CIRC.MALE COUP. INSERT.WITH SHUT OFF.5 MPT
16-0034	6	1	1	O-CON.CIRC.FEMALE COUP. W/SHUT OFF.5MPT
14820508	5	1	1	ADPT. SMPT. FHL.PP
041531812	4	1	1	VAL.BALL.5/16.PVC80
041531509	3	2	2	TEE.5.THRO.PVC80.CHEM.TROL
041-0012	2	1	1	NIPPLE.3/42.PVC80
041-0003	1	2	2	NIPPLE.3/4.PVC80

NOTES:

1. ALWAYS COMPARE THE WORK ORDER TO ON-HAND DRAWINGS, TEST PROCEDURES, FORMS, AND BOM TO ASSURE THAT THE LATEST/CORRECT REVISION LEVEL IS BEING BUILT.

\* 2. ATTACH THE FOLLOWING LABELS AS SHOWN: INLET, AND OUTLET.

3. APPLY TEFLON TAPE AND THREAD SEALANT TO ALL THREADED CONNECTIONS. REFER TO P-WKI #17 FOR INSTRUCTIONS.

**AmeriWater®**

1303 Stanley Avenue  
Dayton, OH 45404

(937)-61-8833 FAX (937)-61-1988

www.amerewater.com

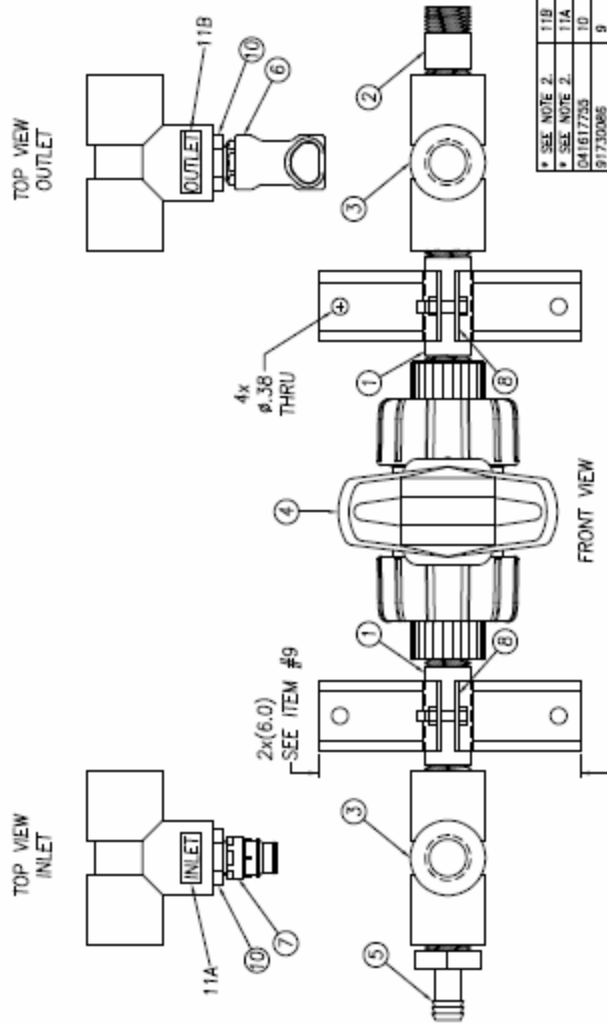
DRAWN BY: C. YOUNG

DATE: 06NOV07 SHEET 1 OF 1

S/C# NA SCALE: FULL

DIRECT FEED LOOP  
DISINFECTION,HEADER,.5"  
0185-0071B

REV	DATE	DESCRIPTION	INIT
A	06MAR09	ORIGINAL ISSUE	SFW



NOTES:  
 1. ALWAYS COMPARE THE WORK ORDER TO ON-HAND DRAWINGS, TEST PROCEDURES, FORMS, AND BOM TO ASSURE THAT THE LATEST/CORRECT REVISION LEVEL IS BEING BUILT.  
 \* 2. ATTACH THE FOLLOWING LABELS AS SHOWN: INLET, AND OUTLET.  
 3. APPLY TEFLON TAPE AND THREAD SEALANT TO ALL THREADED CONNECTIONS. REFER TO P-WKI #17 FOR INSTRUCTIONS.

AWI P/N	ITEM#	QTY	DESCRIPTION
* SEE NOTE 2.	11B	1	LABEL,OUTLET
* SEE NOTE 2.	11A	1	LABEL,INLET
041617253	10	2	BUSH, 75X.5,THRD,PKGB0
81730085	9	1*	WST,1.625,FIN,GLASS, PE
81531824	8	2	WST,CAMP, 75,IPS,AL70
16-0083	7	1	O-RING,CIRC,MATE COUP, INSERT,W/SHUT OFF,3.5 MPT
16-0034	6	1	O-RING,CIRC,FEMALE COUP, W/SHUT OFF,3.5MPT
14570115	5	1	ADPT, 75MPT, 75H6,PP
041532841	4	1	VAL,BALL, 75,TU,PKGB0
041531504	3	2	TEE, 75,THRD,PKGB0,CHEMTRAL
041560330	2	1	NIPPLE, 75X2,PKGB0
041531188	1	2	NIPPLE, 75X4,PKGB0

**AmeriWater®**  
 1309 Stanley Avenue  
 Dayton, OH 45404  
 (937)-61-8833 FAX (937)-61-1988  
[www.amerewater.com](http://www.amerewater.com)

DRAWN BY: S. WEBER  
 DATE: 06MAR09 SHEET 1 OF 1  
 S/C# NA SCALE: FULL

DIRECT FEED LOOP  
 DISINFECTION, HEADER, 75"  
 0185-0079A