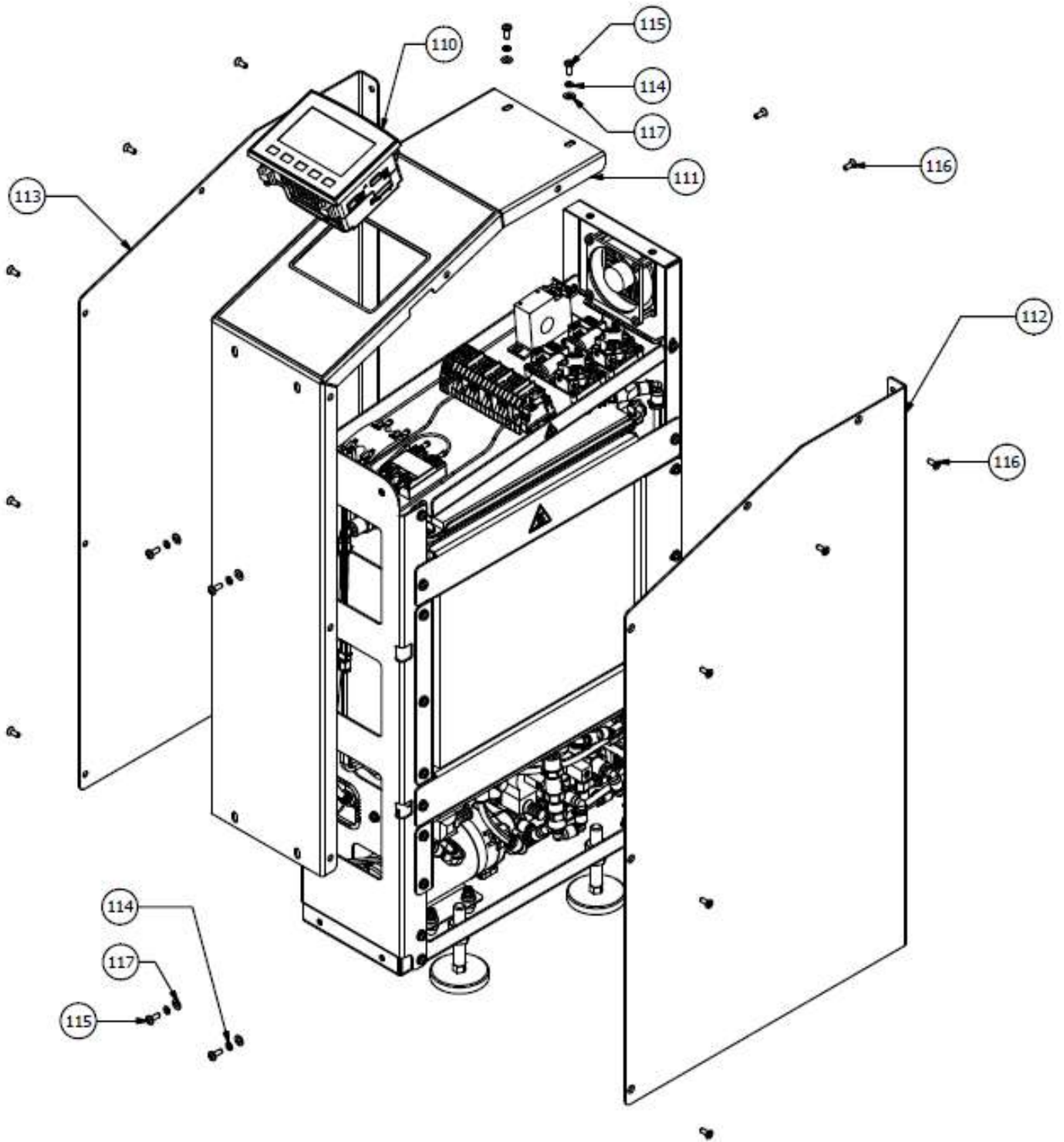
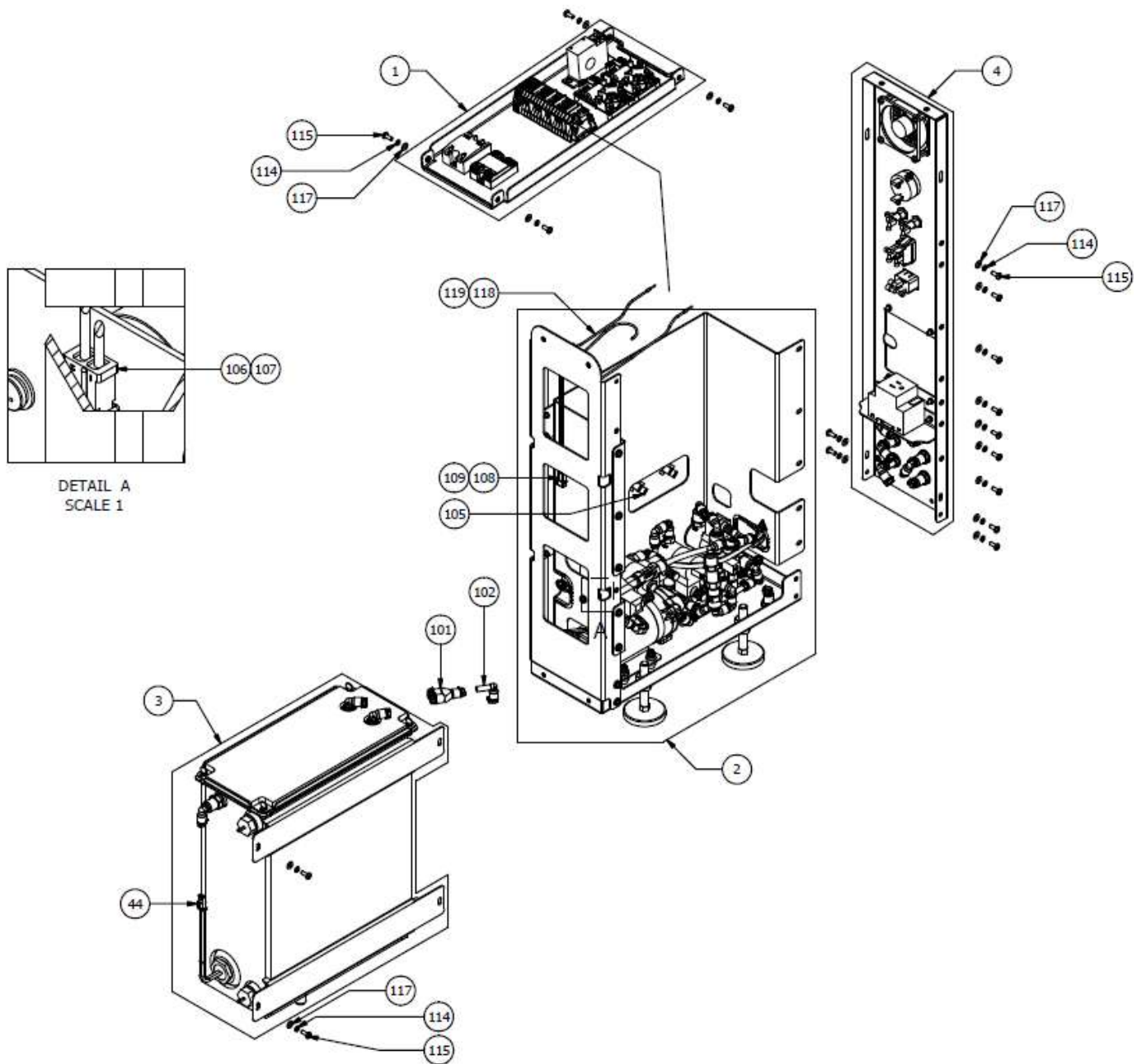
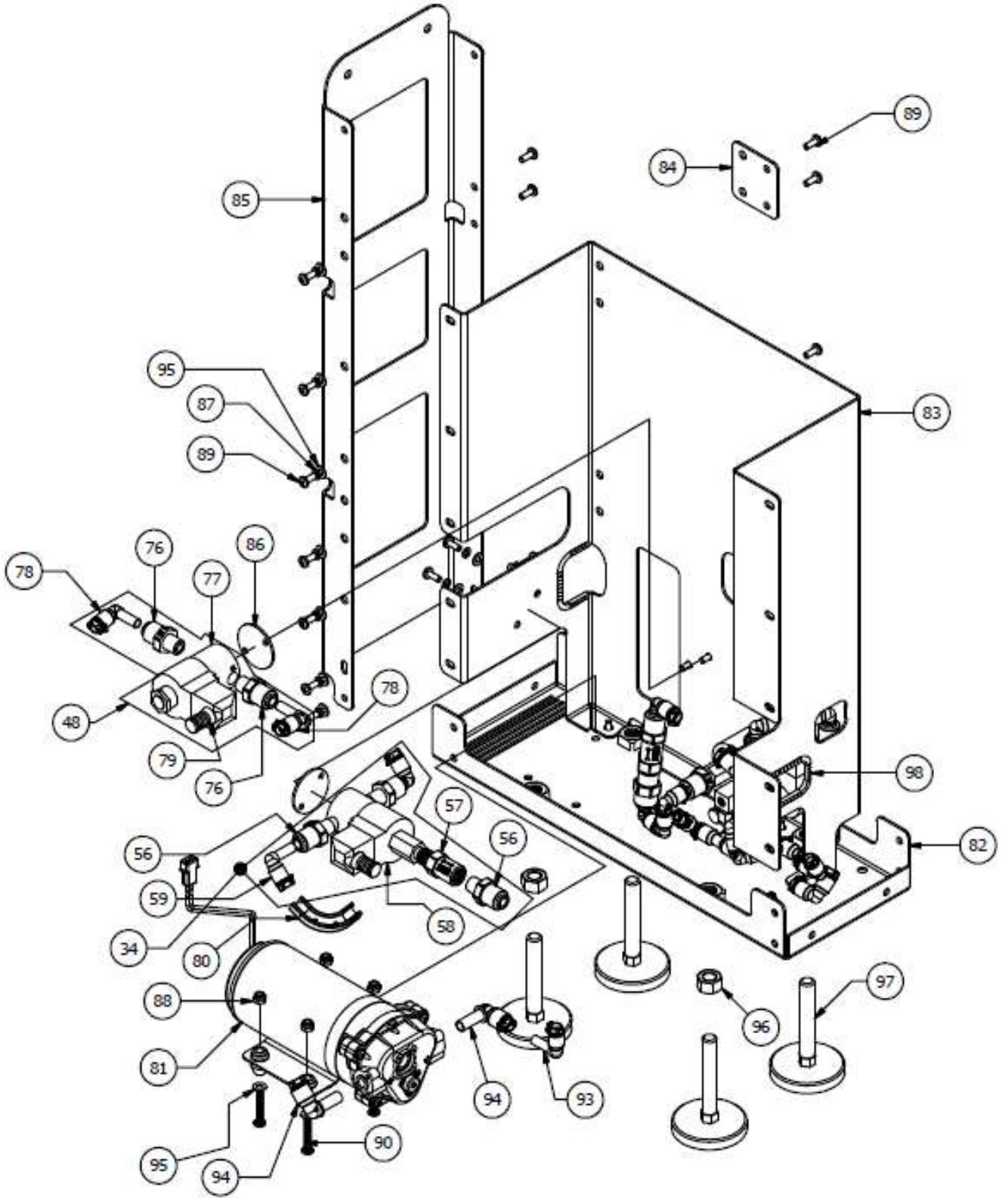
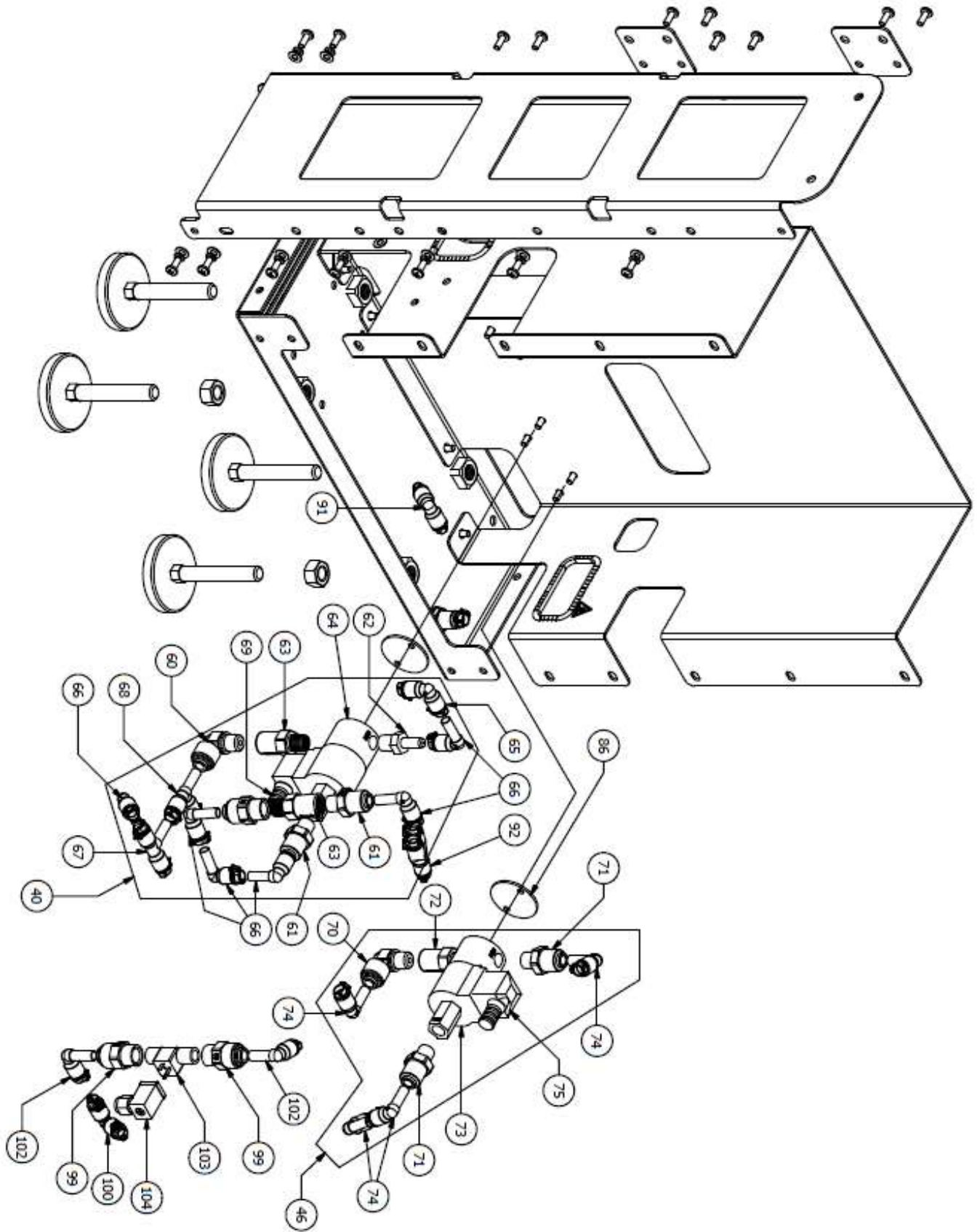


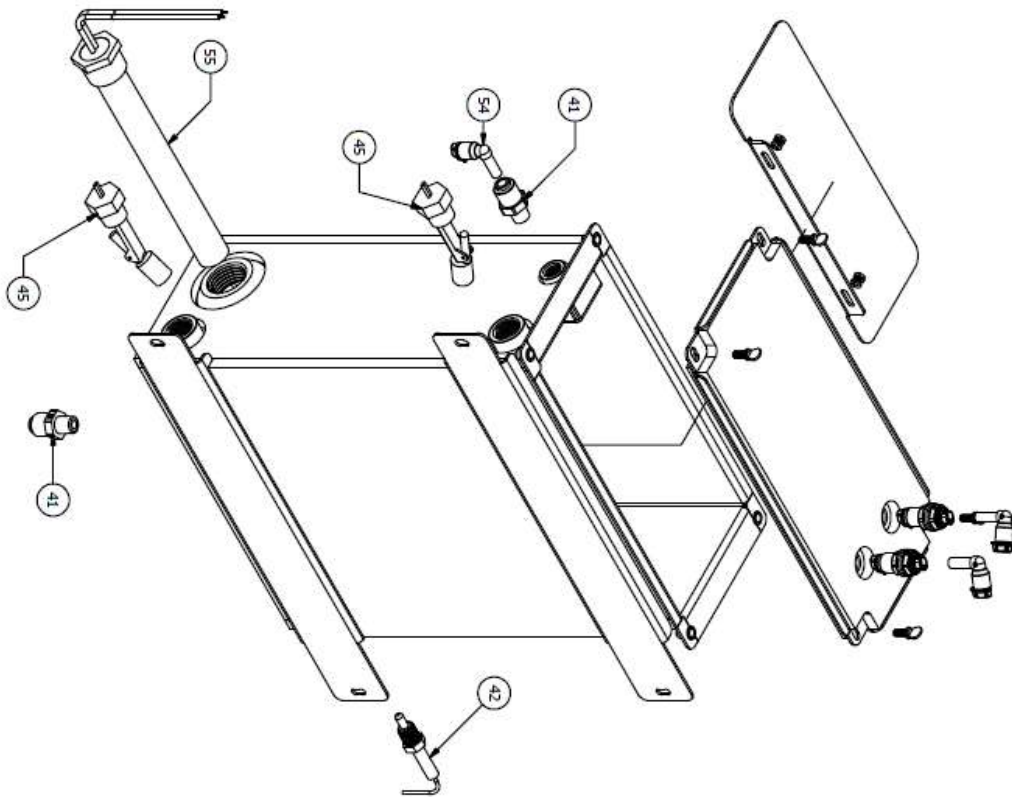
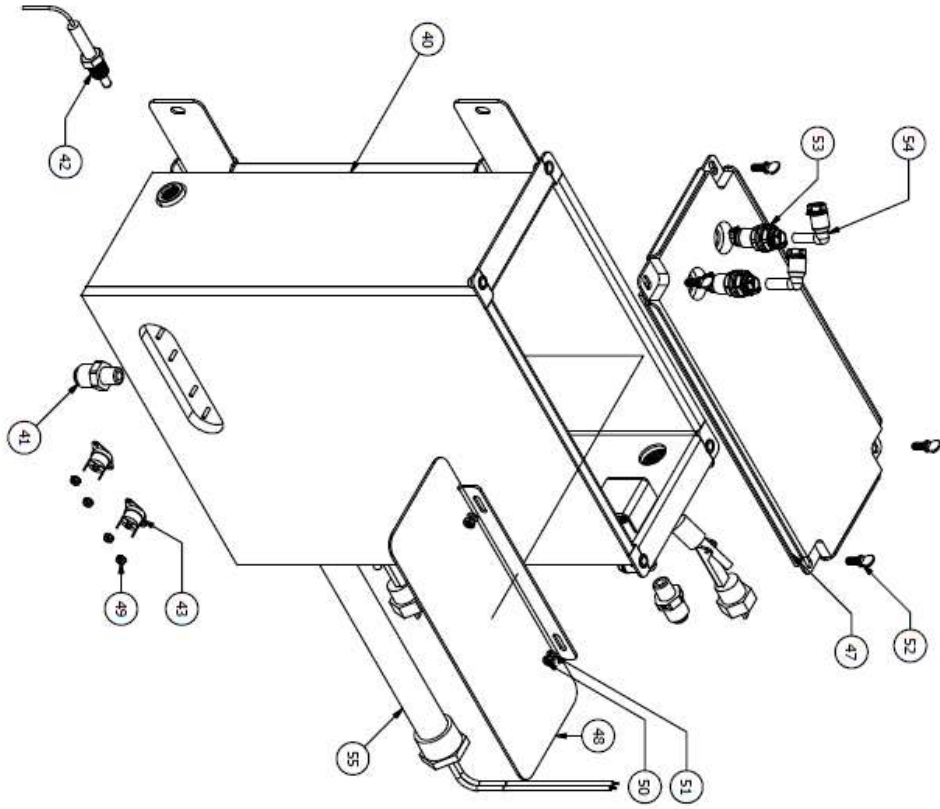
13 SPARE PART LISTING
13.1 Exploded View

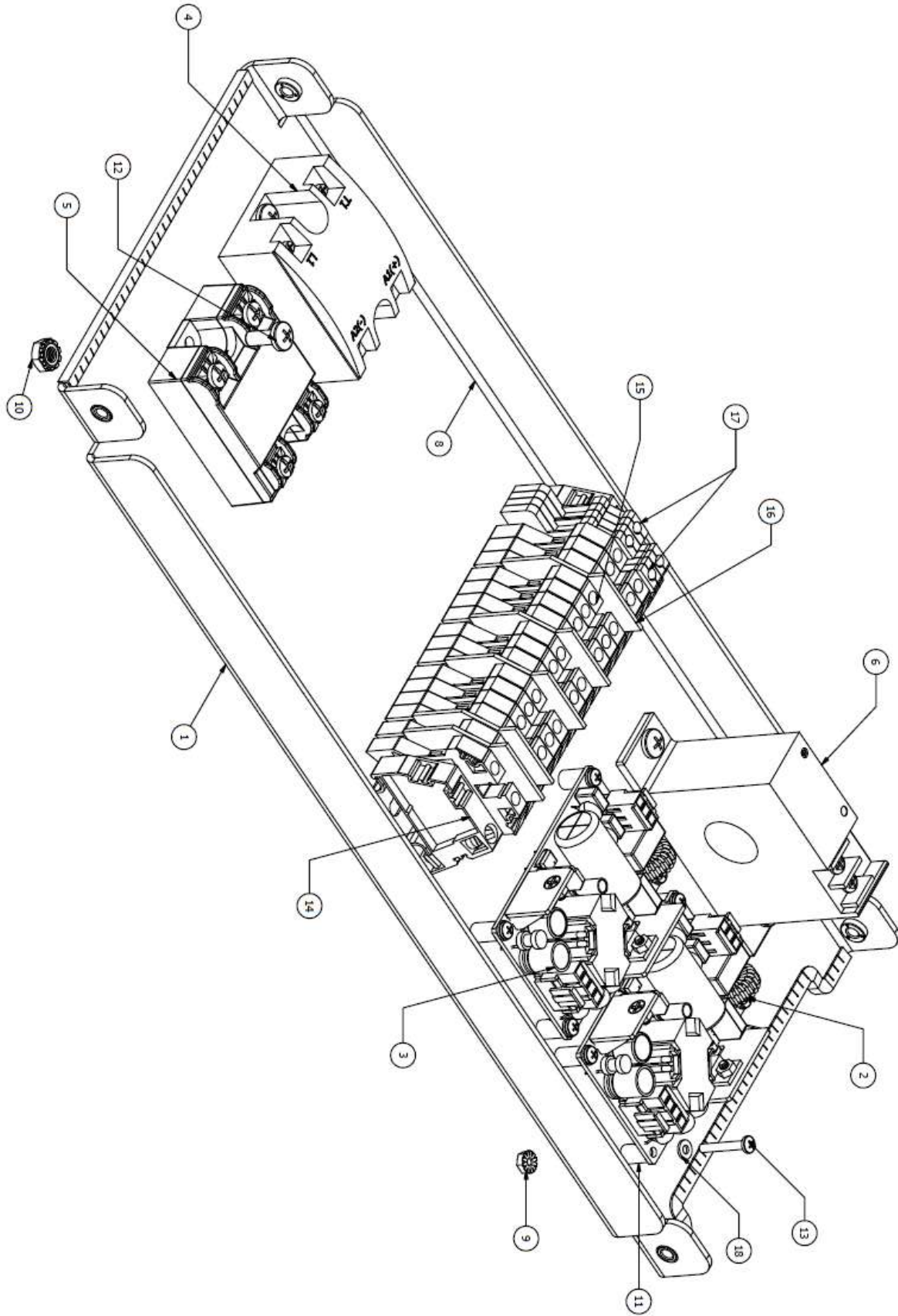


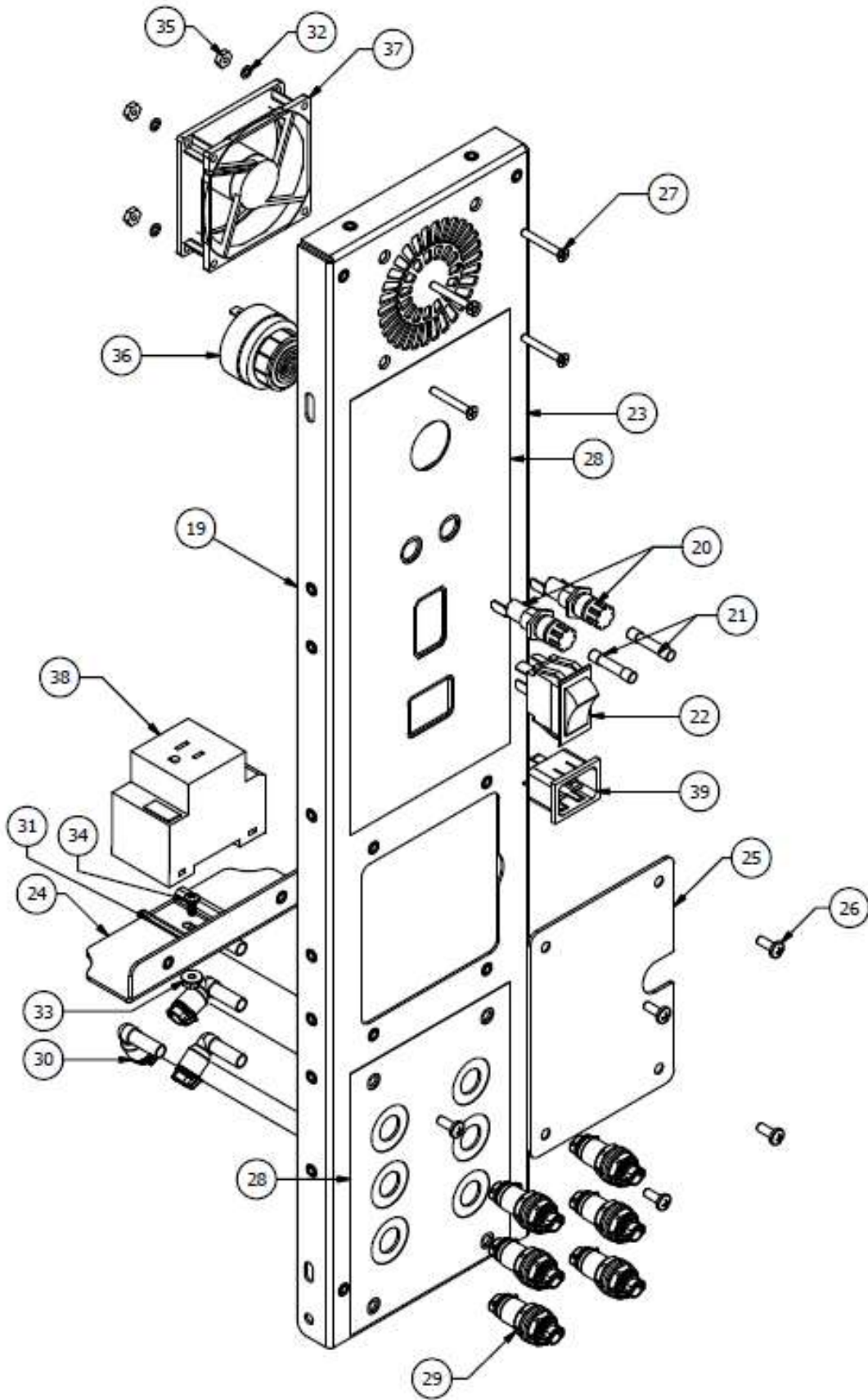












ITEM	PART NUMBER	DESCRIPTION
1	001-053-0008	CONTROL ASSY,END-2-END
2	062-0001	POWER SUPPLY,12VDC,40W,OPEN FRAME
3	062-0002	POWER SUPPLY,24VDC,40W,OPEN FRAME
4	064-0004	RELAY,SOLID STATE, SPST, NO, 25A, 42-265 V OUTPUT, 3-32 VDC CONTROL
5	064-0005	RELAY,SOLID STATE, SPST, NO, 3A, 3.5-60VDC OUTPUT, 3.5-32 VDC CONTROL
6	065-0003	CURRENT SWITCH,FIXED CORE,1A TO 150A, N.C. OUTPUT
7	066-0006	CONNECTOR,JST CRIMP PIN, FOR VHR CONNECTOR
8	090-0021	ENCLOSURE,CONTROL SYSTEM SHELF,N2N
9	092-0009	NUT,LOCKING,#4-40,STAR WASHER,18-8 SS
10	092-0010	NUT,10-32,EXTERNAL TOOTH LOCK WASHER,18-8
11	092-0013	SPACER,NYLON,0.115" HOLE X 3/8" LONG
12	093-0007	SCREW,#10-32 X 1/2", 18-8 STAINLESS STEEL,PAN HEAD,PHILLIPS
13	093-0011	SCREW,4-40 X 3/4",PAN HEAD,PHILLIPS,18-8 SS
14	66-0064	TERMINAL END BLOCK ASSEMBLY
15	66-0065	TERMINAL BLOCK, SINGLE, ALTECH, 35MM, DIN
16	66-0066	ISOLATION PARTITION PLATE, ALTECH 35 MM
17	66-0067	GROUND TERMINAL BODY ASSEMBLY
18	92-0094	WASHER, #4, NYLON
19	001-053-0009	REAR PANEL ASSY, END-2-END
20	060-0005	FUSE HLDR,PANEL MOUNT,.25 QC,250 V,20 A
21	063-0006	FUSE CERM, 12A, 250VAC, 125VDC, 3AB,.25" X 1.25"
22	065-0002	SWITCH,ROCKER,DPST,15 A, 125 V
23	090-0020	ENCLOSURE,REAR BULKHEAD,N2N
24	090-0023	ENCLOSURE,HYDRAULIC/ELECTRICAL DIVIDER,N2N
25	090-0024	ENCLOSURE,POWER CORD INLET COVER,N2N
26	093-0007	SCREW,#10-32 X 1/2", 18-8 STAINLESS STEEL,PAN HEAD,PHILLIPS
27	093-0009	SCREW,8-32 X 1.25",FLAT,PHILLIPS,18-8 SS
28	099-0016	LABEL,END-2-END,REAR PANEL
29	10-L279	LEGRIS BULKHEAD UNION, 5/16T,W/SAFETY CLIP
30	10-L381	LEGRIS PLUG-IN EL, 5/16T X 5/16 STEM (SMOOTH STEM),W/SAFETY CLIP
31	64760151	DIN RAIL,MOUNTING
32	92-0024	WASHER,#8,LOCK,SS
33	92-0097	NUT, 8-32, FLANGED, SS
34	92-0110	SCREW,8-32 X .375,PAN HEAD,PHILLIPS,SS
35	92531201	NUT,8-32,HEX,SS
36	999-3676	ALARM, 80 DB @ 2 FT, PANEL MOUNT,6-28 VDC, 0.25" QD TERMINALS
37	999-3677	FAN,12VDC,OD8025-12LB
38	999-3678	PWR ENT RCPT, NEMA5-15, DIN, SCREW TERMINAL
39	999-3679	PWR ENT RCPT, IEC320-C20, PANEL MOUNT,.25 QC
40	001-085-0034	TANK ASSY,END-2-END

41	010-0015	MALE CON.5/16" T X 1/4" MNPT,TRUE-SEAL
42	039-0001	THERMOCOUPLE,K TYPE, 1/4 NPT,GROUNDED
43	039-0002	THERMOSTAT,MANUAL RESET,194 F,.25 QC
44	066-0021	CONNECTOR, TYCO MATE N LOCK, 2 CIRCUIT, SOCKET HOUSING, NATURAL
45	067-0001	SWITCH,FLOAT,1/2" NPT,POLYPROPYLENE,105 C WORKING TEMP
46	090-0017	TANK ASSY,316 SS,N2N
47	090-0029	LID,TANK,N2N
48	090-0030	BAFFLE,TANK,N2N,316 SS
49	092-0009	NUT,LOCKING,#4-40,STAR WASHER,18-8 SS
50	092-0011	NUT,#10-32,316 SS,HEX HEAD
51	092-0012	WASHER,LOCK,#10,316 SS
52	093-0006	THUMB SCREW,#10-32 X 1/2"
53	10-L279	LEGRIS BULKHEAD UNION, 5/16T,W/SAFETY CLIP
54	10-L381	LEGRIS PLUG-IN EL, 5/16T X 5/16 STEM (SMOOTH STEM),W/SAFETY CLIP
55	999-3675	HEATING ELEMENT, 1000W, 120VAC,1" NPT,8" LENGTH
56	010-0015	MALE CON.5/16" T X 1/4" MNPT,TRUE-SEAL
57	055-0006	VAL,CHECK,1/4" MNPT X 1/4" FNPT,316 SS,0.3 PSI CRACKING
58	059-0002	VAL,SOL,1/4"NPT,120VAC,3 WAY DIRECT ACTING,DIVERTING
59	10-L381	LEGRIS PLUG-IN EL, 5/16T X 5/16 STEM (SMOOTH STEM),W/SAFETY CLIP
60	010-0014	MALE ELBOW,5/16" T X 1/4" MNPT,KYNAR,TRUE-SEAL
61	010-0015	MALE CON.5/16" T X 1/4" MNPT,TRUE-SEAL
62	042-0009	FLOW RESTRICTOR,FIX ORIFICE,1 L/MIN,5/16" STEM X 1/4" NPT,CPVC
63	055-0006	VAL,CHECK,1/4" MNPT X 1/4" FNPT,316 SS,0.3 PSI CRACKING
64	059-0002	VAL,SOL,1/4"NPT,120VAC,3 WAY DIRECT ACTING,DIVERTING
65	10-L204	LEGRIS UNION EL, 5/16T X 5/16T,W/SAFETY CLIP
66	10-L381	LEGRIS PLUG-IN EL, 5/16T X 5/16 STEM (SMOOTH STEM),W/SAFETY CLIP
67	10-L407	LEGRIS PLUG-IN BRANCH TEE, 5/16T X 5/16 STEM,W/SAFETY CLIP
68	10-L408	LEGRIS PLUG-IN RUN TEE, 5/16T X 5/16 STEM,W/SAFETY CLIP
69	66932109	WIRE HARNESS,DIN,STD ISO,6FT,STRIPPED ENDS
70	010-0014	MALE ELBOW,5/16" T X 1/4" MNPT,KYNAR,TRUE-SEAL
71	010-0015	MALE CON.5/16" T X 1/4" MNPT,TRUE-SEAL
72	055-0007	VAL,CHECK,1/4" MNPT X 1/4" FNPT,316 SS,10 PSI CRACKING
73	059-0002	VAL,SOL,1/4"NPT,120VAC,3 WAY DIRECT ACTING,DIVERTING
74	10-L381	LEGRIS PLUG-IN EL, 5/16T X 5/16 STEM (SMOOTH STEM),W/SAFETY CLIP
75	66932109	WIRE HARNESS,DIN,STD ISO,6FT,STRIPPED ENDS
76	010-0015	MALE CON.5/16" T X 1/4" MNPT,TRUE-SEAL
77	059-0003	VAL,SOL,1/4" NPT,120VAC,NO,DIRECT ACTING
78	10-L381	LEGRIS PLUG-IN EL, 5/16T X 5/16 STEM (SMOOTH STEM),W/SAFETY CLIP
79	66932109	WIRE HARNESS,DIN,STD ISO,6FT,STRIPPED ENDS
80	010-0172	CLIP,FLOW BEND,8 MM
81	080-0012	PUMP,AQUATEC,1.4 LPM,8852,3/8 JG,110 PSI BYPASS,12 VDC,STEEL MOUNT PLATE

82	090-0019	ENCLOSURE,BASE,N2N
83	090-0022	ENCLOSURE, MAIN STRUCTURE,N2N
84	090-0025	ENCLOSURE,SUPPORT BRACKET,N2N
85	090-0028	ENCLOSURE,FRONT INNER SUPPORT,N2N
86	090-0031	SHIM,SOLENOID VALVE,END TO END,ALUMINUM
87	092-0002	WASHER,LOCK,#10,18-8 SS
88	092-0020	NUT,10-32,NYLOCK,18-8 SS
89	093-0007	SCREW,#10-32 X 1/2", 18-8 STAINLESS STEEL,PAN HEAD,PHILLIPS
90	093-0008	SCREW,10-32 X 1.25",PAN,PHILLIPS,18-8 SS
91	10-L204	LEGRIS UNION EL, 5/16T X 5/16T,W/SAFETY CLIP
92	10-L304	LEGRIS,SPLITER,Y, DIVIDER, 5/16T X 5/16T,W/SAFETY CLIP
93	10-L381	LEGRIS PLUG-IN EL, 5/16T X 5/16 STEM (SMOOTH STEM),W/SAFETY CLIP
94	10-L382	LEGRIS PLUG-IN EL, 5/16T X 3/8 STEM (SMOOTH STEM),W/SAFETY CLIP
95	92531901	WASHER,#10 FLAT,SS
96	92730117	NUT,1/2-13,HEX,SS
97	999-3680	FOOT,LEVELING, 1/2"-13, 3" THRD, 2.5" BASE
98	999-3685	SLOTTED GROMMET EDGING,0.062"-0.99" PANEL,POLYETHYLENE,100 FT REEL
99	010-0021	FEMALE CON,5/16" T X 1/4" FNPT,KYNAR,TRUE-SEAL
100	10-L204	LEGRIS UNION EL, 5/16T X 5/16T,W/SAFETY CLIP
101	10-L304	LEGRIS,SPLITER,Y, DIVIDER, 5/16T X 5/16T,W/SAFETY CLIP
102	10-L381	LEGRIS PLUG-IN EL, 5/16T X 5/16 STEM (SMOOTH STEM),W/SAFETY CLIP
103	41-0052	FLOWMETER,TURBINE, LOW FLOW, .026-.65 GPM, CENTURION
104	066-0009	CONNECTOR,DIN,SERIES C25,2 POLE + GND,BLACK NBR GASKET,UL 94-V0 RATED
105	066-0010	90 DEG FLAG TERMINAL,0.25" QUICK DISCONNECT,22-18 AWG,FULLY INSULATED
106	066-0021	CONNECTOR, TYCO MATE N LOCK, 2 CIRCUIT, SOCKET HOUSING, NATURAL
107	066-0022	SOCKET, TYCO MATE N LOCK, BRASS, PRE-TIN,20-14 AWG
108	066-0210	PIN, TYCO MATE N LOCK, BRASS, PRE-TIN,20-14 AWG
109	066-0211	CONNECTOR, TYCO MATE N LOCK, 2 CIRCUIT, PIN HOUSING, NATURAL
110	069-0001	PLC,UNITRONICS,V430,RELAY OUTPUT,12 INPUT,8 OUTPUT,24 VDC
111	090-0018	ENCLOSURE,FRONT PANEL,N2N
112	090-0026	ENCLOSURE,SIDE COVER,RIGHT,N2N
113	090-0027	ENCLOSURE,SIDE COVER,LEFT,N2N
114	092-0002	WASHER,LOCK,#10,18-8 SS
115	093-0007	SCREW,#10-32 X 1/2", 18-8 STAINLESS STEEL,PAN HEAD,PHILLIPS
116	093-0010	SCREW,#10-32 X 1/2",FLAT,PHILLIPS,18-8 SS
117	92531901	WASHER,#10 FLAT,SS
118		HEATER WIRE
119		PANDUIT