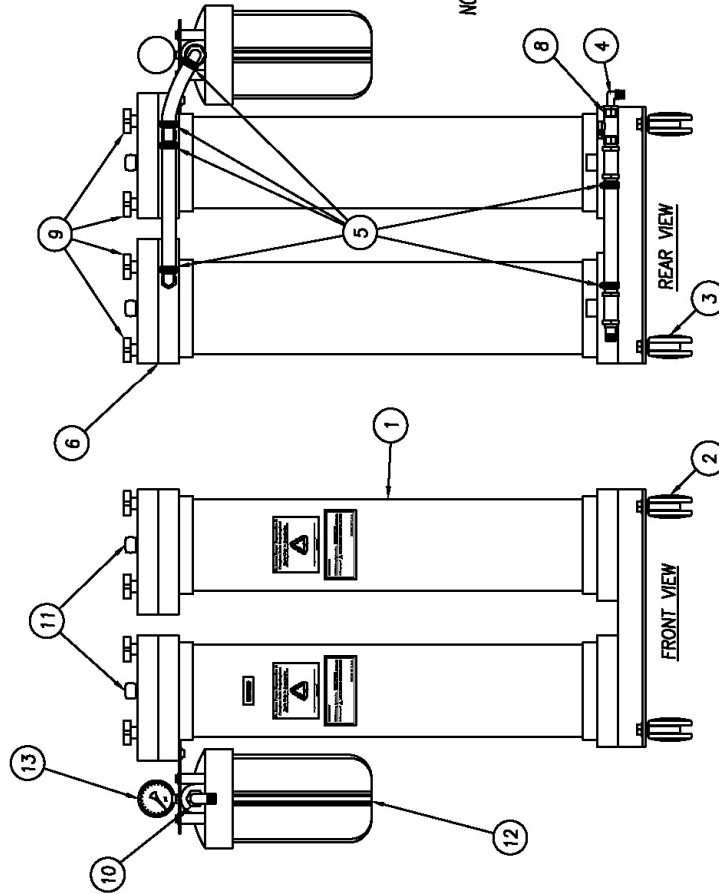


SILEX DRAWING AND PARTS LIST

REV	DATE	DESCRIPTION	INIT
A	07/JAN/09	ORIGINAL ISSUE	JJJ



43530702	13	GAUGE 0-60 PSI
20-2210	12	FILTER CARTRIDGE PLEATED
19530901	11	SILEX AIR VENT
14520410	10	ADPT,EL, 0.75 MPT X 0.75 HB, PP
19560310	9	KNOB ASSEMBLY
041001	8	BALL VALVE 0.38 MPT X FPT, PVC80
21675187	7	FILTER WRENCH
19300001-00	6	O-RING, SILEX, MOLDED UNIT
15650075	5	CLAMP, HOSE, 0.75, SST
14520404	4	ADPT,EL, 0.38 MPT X 0.5 HB, PP
94560411	3	CASTER, TWIN WHEEL, NO BRAKE
94560410	2	CASTER, TWIN WHEEL WITH BRAKE
0119-0011	1	COLUMN,SILEX,PARALLEL
AWI P/N	ITEM #	DESCRIPTION

REPLACEMENT COMPONENTS
THIS IS A LISTING OF THE MOST COMMON PARTS REPLACED
FOR THE 00M20004 SILEX SYSTEM