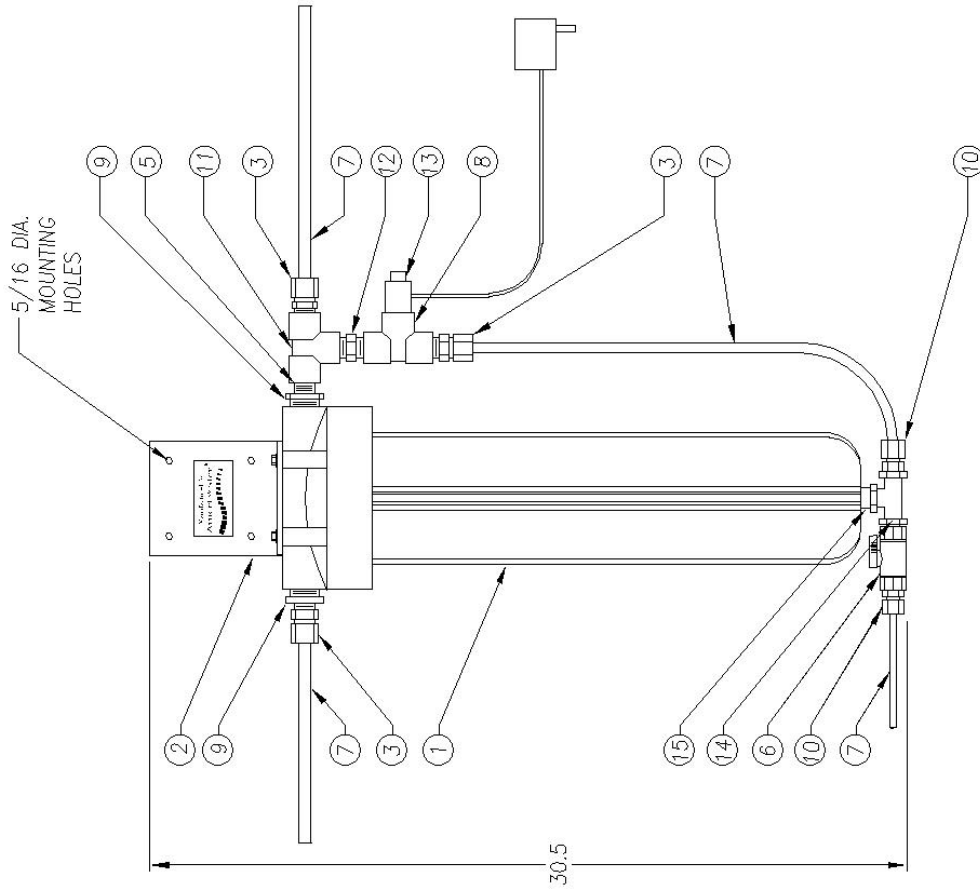


REV DATE DESCRIPTION INIT



044730188	15	1	NIPPLE, .38, SST304
041-0001	14	1	TEE, .38, THREADED
75679115	13	1	CONDUCTIVITY LIGHT, 50K, RED/GREEN
046531105	12	1	NIPPLE, .5
041531509	11	1	TEE, .5, THREADED
10150004	10	2	CONNECTOR, .38MPTx.38T
046520419	9	2	BUSHING, 1x.5, THREADED
044531606	8	1	TEE, .5, THD, SST304
08530818	7	19FT	TUBING, .38
041001	6	1	VALVE, BALL
90560506	5	.2	ROD, SOLID, PVC
21675182	4	1	FILTER, WRENCH
10520804	3	4	CONNECTOR, .5MPTx.38T
21675181	2	1	FILTER, BRACKET
21675179	1	1	FILTER, HOUSING, WHITE
AWI P/N	ITEM	QTY	DESCRIPTION

Ameri Water®



1257 Stanley Avenue
Dayton, OH 45404

(937)461-8833 FAX (937)461-1988
www.amerewater.com

DRAWN BY: MARK SIMPKINS

DATE: 020CT03 SHEET 1 OF 1

S/O# NA SCALE: FULL

SILEX, .25 CUFT WALL MOUNT
DEIONIZER SYSTEM

00S9615.A-PARTS LIST.DWG