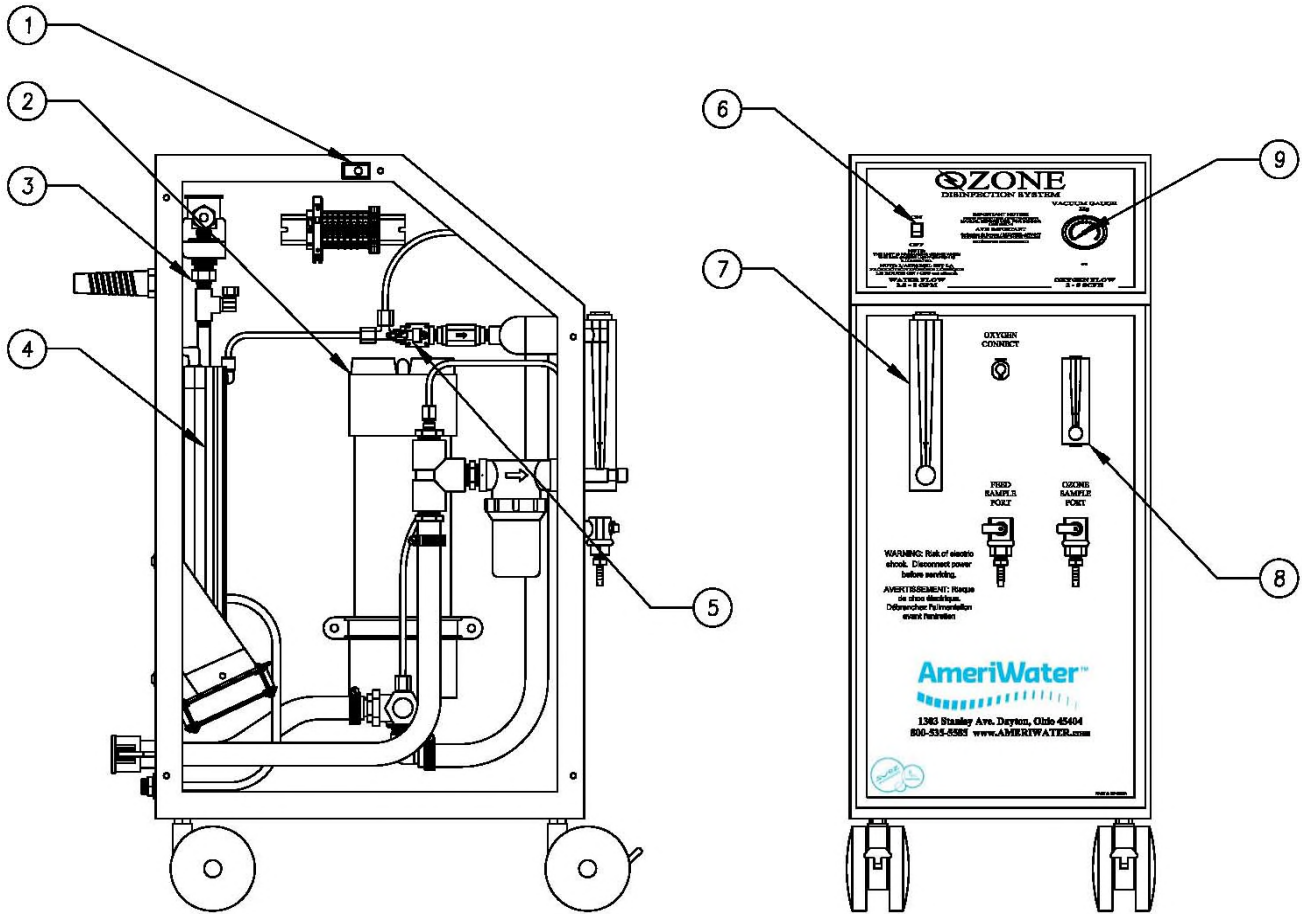


# SECTION 6, SPARE PARTS LIST

## 6.1 OZONE DISINFECTION SYSTEM COMPONENTS



NUMBER	PART NUMBER	DESCRIPTION
1	65-0008	Door Switch
2	77-0007	Gas Off Assembly w/Float Valve
3	77-0006	Ozone Gas Destruct Chamber
4	77-0005	Corona Discharge Chamber w/Fan
5	65-0007	Vacuum Switch
6	65-0003	Switch, Toggle, ON / OFF, Illum.
7	41530611	Flow Meter 0-5 GPM W/Valve
8	41821990	Flow Meter w/Valve, 0-5 SCFH
9	43-0011	Gauge Vacuum, 0/30 INHG
<b>NOT PICTURED</b>		
-	77-0008	Fan for Corona Discharge Chamber
-	77-0009	Power Supply Board for CD Unit
-	40531620	Injector, 0-6 GPM, 3/4" MPT
	RPC # K100-0111	RPC Ozone Test Strips