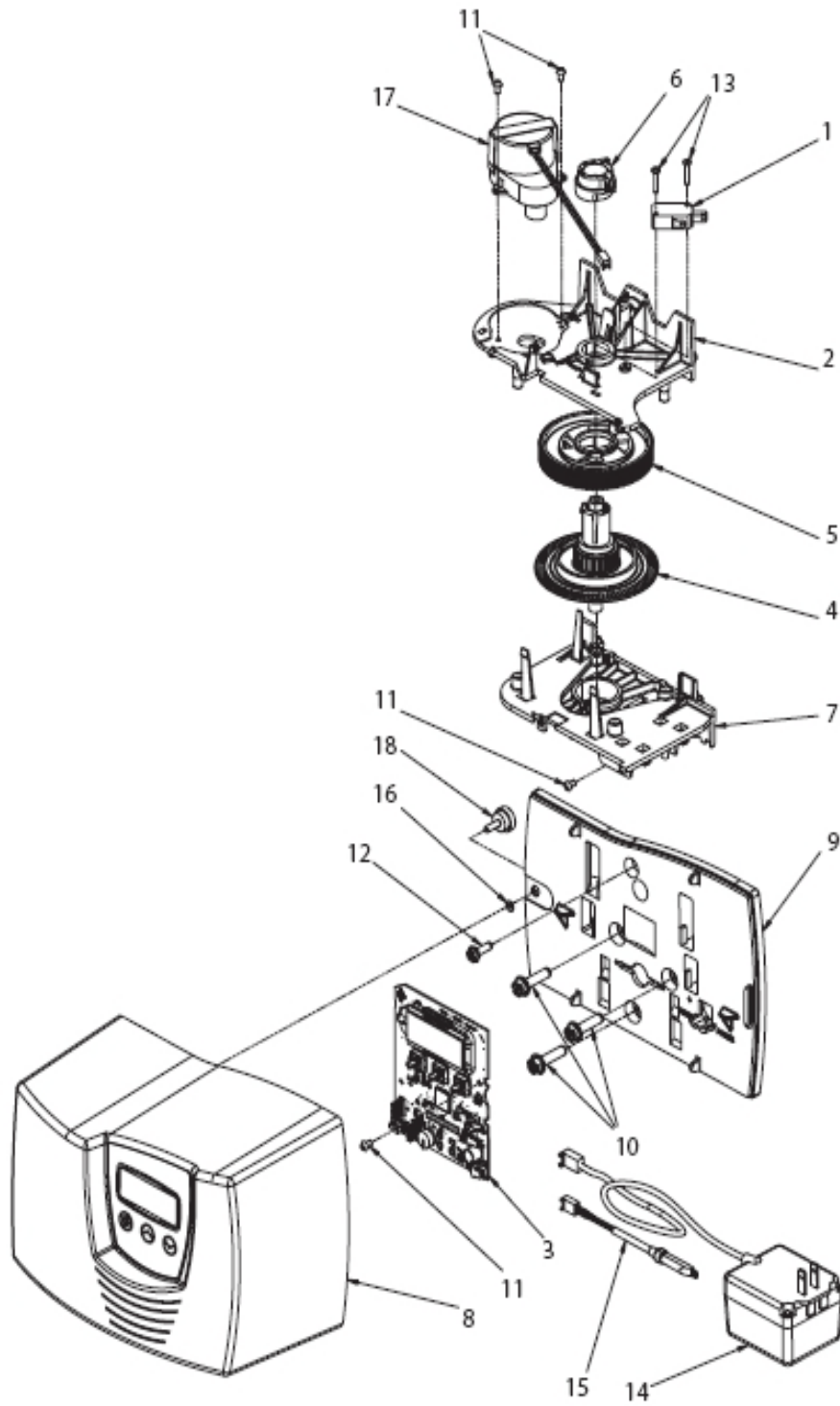


8.2 Power Head Assembly



BR61501-7000SXT

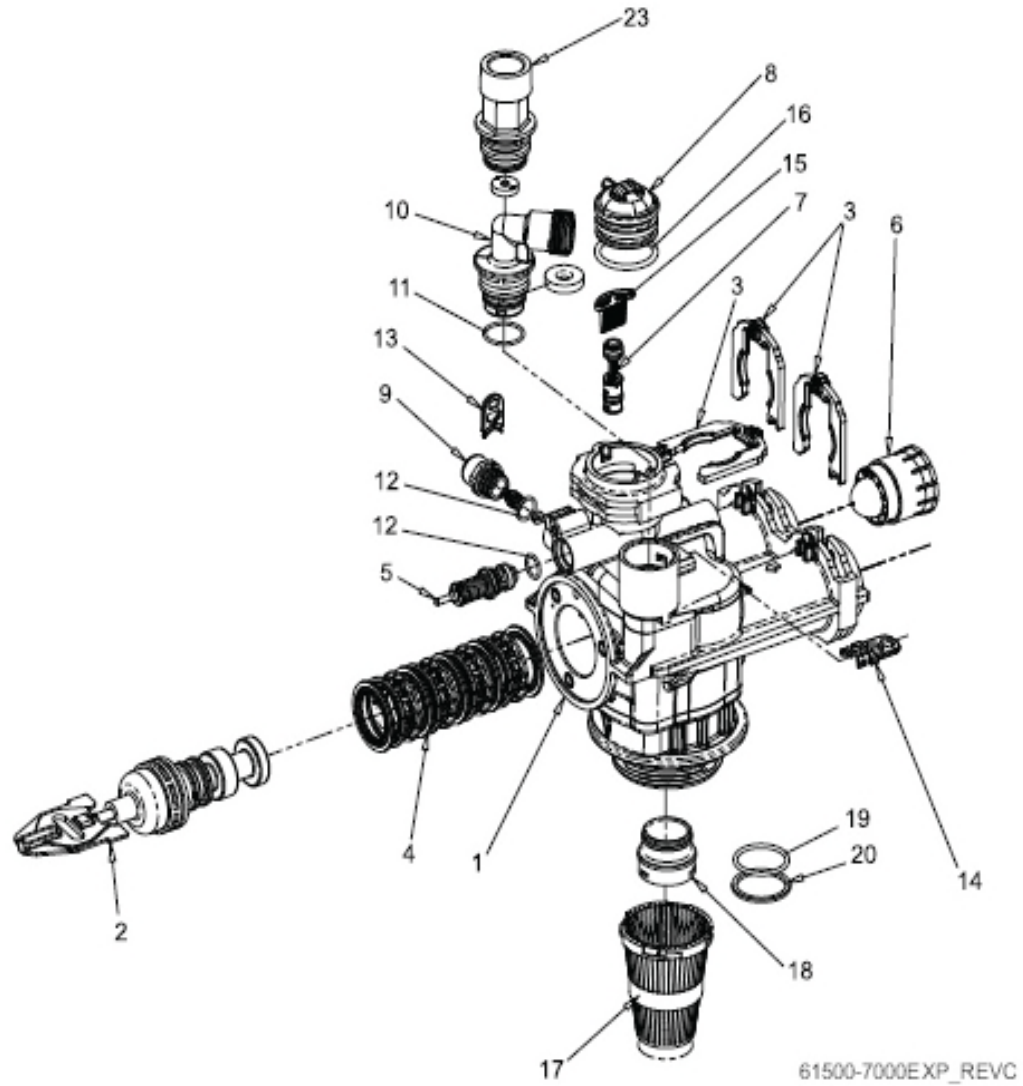
Power Head Assembly Parts List

Item No.	Quantity	Part No.	Description
1	1	10218	Switch, Micro
2	1	40978	Support, Upper Bearing, HF-35
3	1	40595	Circuit Board
4	1	40702	Shaft, Drive/Encoder, HF-35
5	1	40703	Gear, Main Drive
6	1	40704	Cam, Brin, Downflow, HF-35
7	1	40979	Plate, Lower Support, HF-35
8	1	61430	Cover Assy, HF-35
	1	40708-00	Cover, Grey, 7000
	1	18728	Nut, Tinnerman, U Type, 8-32
	1	19367	Screw, Designer Cover, Thumb
	1	40982	Label, Control Panel, 7000
	1	41122	O-ring, -007
9	1	40980	Back Plate, HF-35
10	3	40967	Screw, Slotted Hx Wshr Hd, 1/4-20x1 LG
11	5	13602	Screw, Phil Rd Hd, 6-32 x 5/16
12	1	12473	Screw, Hx Wshr Hd, #10-24 x .625
13	2	11805	Screw, Rd Hd, 4-40 x 5/8 Type 1
14	1	40981	Transformer, US 24V, 9.6VA Transformer (24V) Receptable, 2 Circuit Molex Wire
15	2	19791-01	Meter Cable Assy, Turbine
16	1	41122	O-ring, -007
17	1	42349	Motor, 24V, 2rpm, 7000
18	1	19367	Screw, Designer Cover, Thumb

Not Shown

1	41091	Label, Blank Protective
1	42349	Pouch, Bubble Wrap
1	41086	Transformer, 230V/24V, European
1	40654	Carboard, Timer, Single
1	40960-03	Lable, UL Nameplate

8.3 Valve Assembly



Valve Assembly Parts List

Item No.	Quantity	Part No.	Description
1	1	61050	Valve Body Assy,7000,32mm Dist
2	1	61452-10	Piston Assy,7000,Soft,D/F 35gpm
		61453-10	Piston Assy,7000,Soft,D/F 28gpm
		61452-20	Piston Assy,7000,Filter, 35gpm
3	3	40576	Clip, H, Plastic, 7000
4	1	61438	Seal & Spacer Kit, 7000, DF
5	1	60016-01	Brine Valve Assembly, 7000, 560CD
6	1	40577	Turbine Meter Assembly, 7000
7	1	61XXX	Injector Assembly, 7000

Part No.	Injector No.
61454-000	#000
61454-00	#00
61454-0	#0
61454-1	#1
61454-2	#2
61454-3	#3
61454-4	#4
61454-5	#5

8	1	40556	Cap, Injector
9	1	61XXX	BLFC Assemblies

Part No.	BLFC Size	GPM
61450-00	3/8"	Blank
61450-12	3/8"	0.125
61450-25	3/8"	0.25
61450-50	3/8"	0.50
61450-100	3/8"	1.0
61451-00	1/2"	Blank
61451-12	1/2"	0.125
61451-25	1/2"	0.25
61451-50	1/2"	0.50
61451-100	1/2"	1.0

10

1

61XXX

DLFC Assemblies

Part No.	DLFC Size	GPM
61455-00	3/4"	Blank
61455-17	3/4"	1.7
61455-20	3/4"	2.0
61455-24	3/4"	2.4
61455-30	3/4"	3.0
61455-35	3/4"	3.5
61455-40	3/4"	4.0
61455-45	3/4"	4.5
61455-50	3/4"	5.0
61455-60	3/4"	6.0
61455-70	3/4"	7.0
61456-00	1"	Blank
61456-8.0	1"	8.0
61456-9.0	1"	9.0
61456-10	1"	10.0
61456-12	1"	12.0
61456-15	1"	15.0
61456-20	1"	20.0
61456-25	1"	25.0
61456-30	1"	0.0

Item No.	Quantity	Part No.	Description
11	1	13303-01	O-ring,-021, 560CD
12	2	13302-01	O-ring,-014, 560CD
13	1	40946	Clip, Brine Retaining
14	1	40945	Clip, Drain Retaining
15	1	40950	Screen, Injector, 7000
16	1	40951	O-RING,-220
17	1	18280	Collector, Top, 1" x .011, GRAY
18	1	61419	Kit, 1.05" Distributor, Adapter
19	1	19054	O-ring,-124
20	1	40538	Retainer, 32mm, O-ring Dist, 7000
23	1	61XXX	DLFC Kits
Not Shown		18569	Retainer Tank Seal
		40677	Tube, Distributor, 32mm
		40924	Distributor, 32mm
		40697-02	Collector, 32mm Bayonet
		12763-10	Stuffer Tool Assy, 7000
		18303	O-ring,-336, Top of Tank
Filter Valves		40947-01	Plug, Brine Valve, w/O-ring
		40990-01	Plug, Injector, w/O-ring