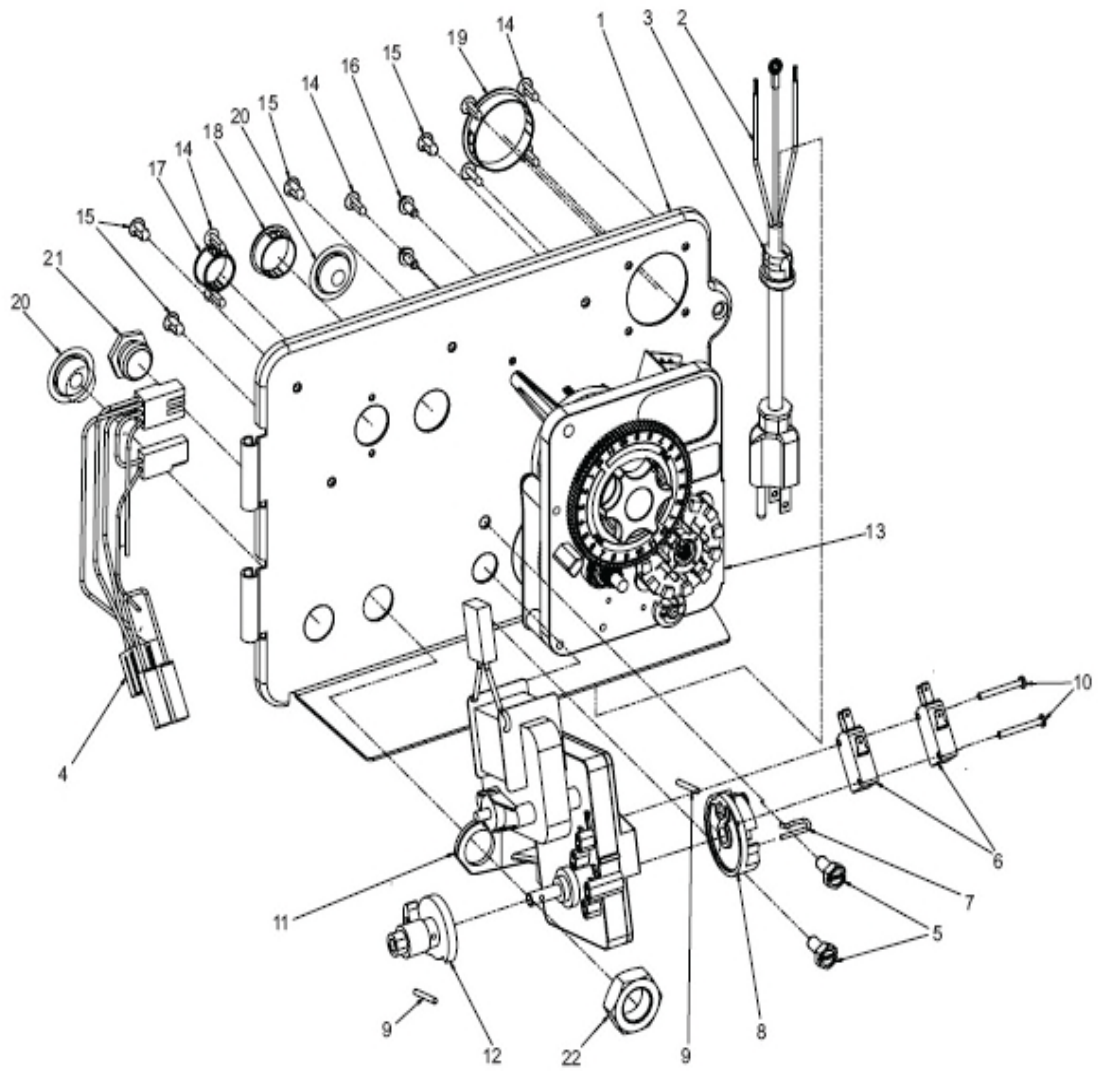


8.2 Power Head Assembly

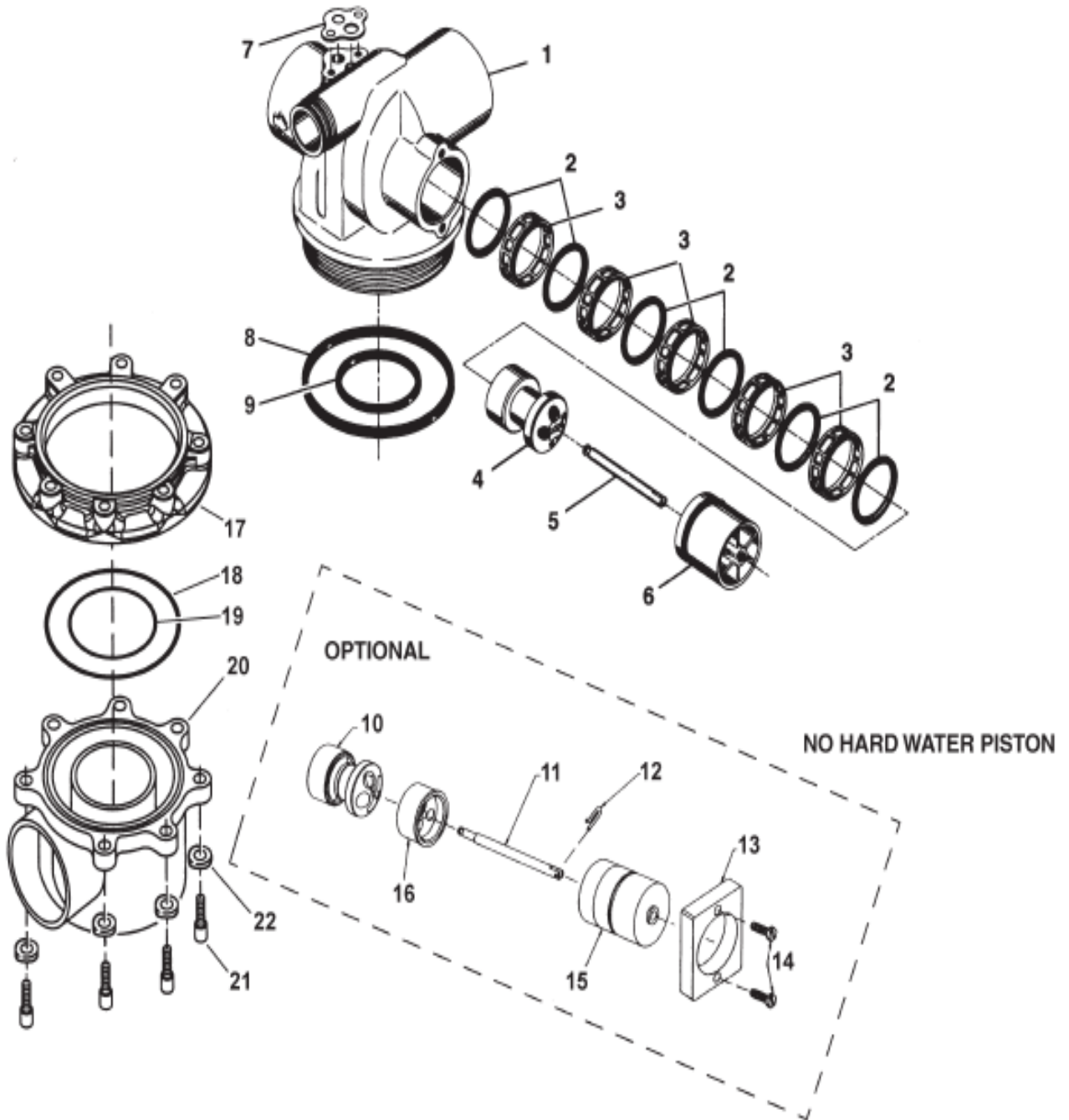


61501-2850 REV B

Power Head Assembly Parts List

Item No.	Quantity	Part No.	Description
1	1	18697-13	Backplate, Hinged
2	1	11838	Power Cord, 6' Fleck
3	1	13547	Strain Relief, Cord
4	1	40400	Harness, Drive,
Designer/Environmental			
5	2	10231	Scrw, Slot Hex, 1/4-20 x 1/2
6	2	10218	Switch, Micro
7	1	10909	Pin, Connecting Rod Spring
8	1	60160-15	Drive Cam Assy, STF, Blue, 2900
9	2	10338	Pin, Roll, 3/32 x 7/8
10	2	14923	Screw, Pan HD Mach, 4-40 x 1
11	1	41543	Motor, Drive, 115V/60HZ
12	1	12777	Cam, Shut-off Valve
13	1	61502-3200	Timer Assy, 3200 Clock(NOT WITH SXT CONTROLLER!) See Section 10.4 for SXT parts list.
14	7	19800	Plug (Hole Size: Dia .140)
15	4	19801	Plug, Dia .190
16	2	10300	Screw, Hx Wash Head, 8 x 3/8
17	1	15806	Hole Plug, Heyco
18	1	16493	Plug, Hole, Heyco, .88 Dia
19	1	40306	Plug, 1.50 Hole, Dome, Heyco
20	2	19691	Plug, .750 Dia. Hole, Flush
21	1	10712	Fitting, Brine Valve
22	1	10269	Nut, Jam, 3/4-16

8.3 Valve Assembly



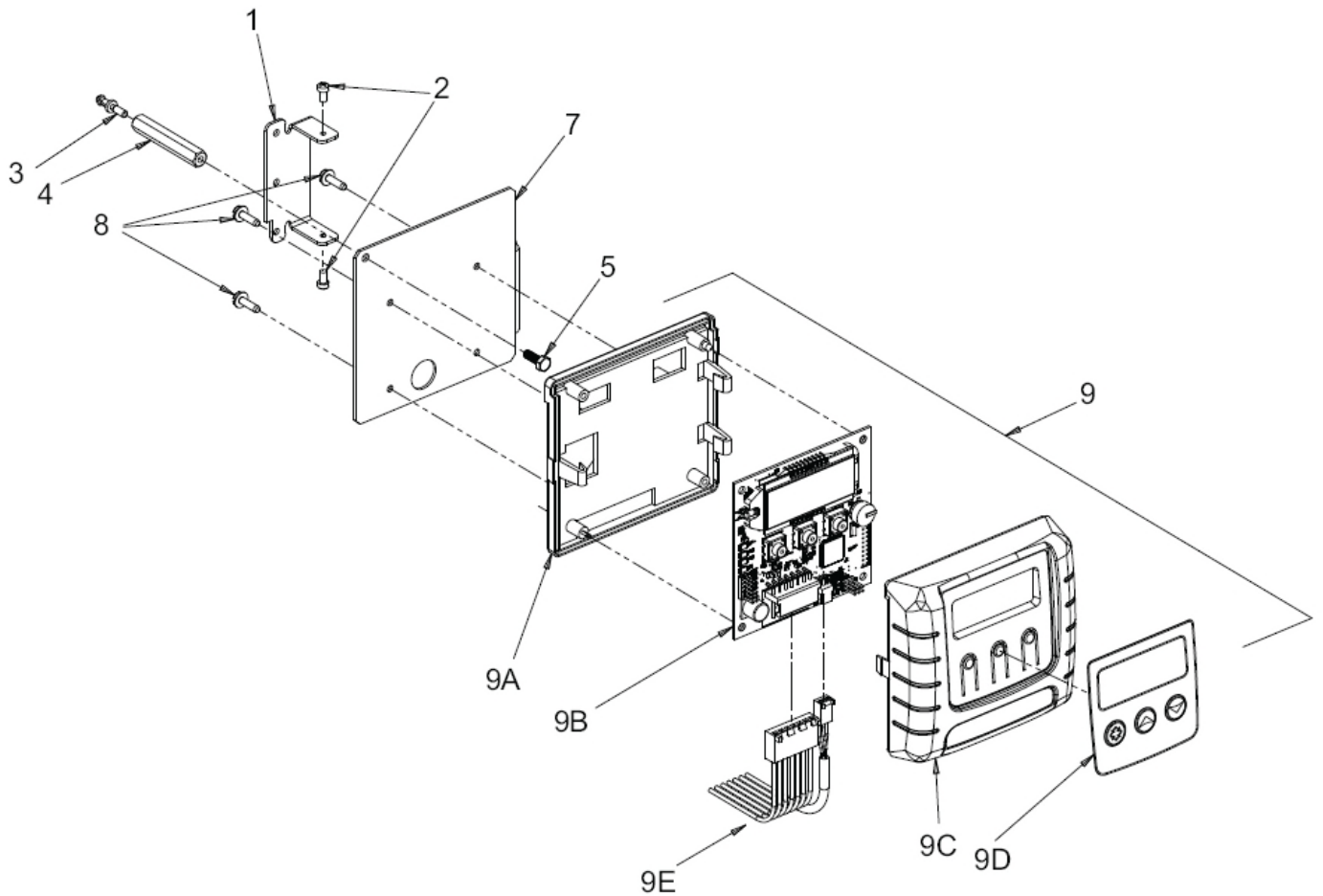
61500-2850_REVB

Valve Assembly Parts List

Item No.	Quantity	Part No.	Description
1	1	16250-01	Valve Body, 2850, Machd
2	6	16101	Seal, 2850
3	5	16638	Spacer, 9500/2850
4	1	16092	Piston, 2850
5	1	16436	Piston, 2850
6	1	16395	End Plug Assy, 2850
16395-01			End Plug Assy, 2850, Hot Water
7	1	14805	Gasket, Injector Body, 1600/1700
8	1	16455	O-ring, -347
*9	1	13577	O-ring, -226
10	1	19606	Piston, 2850, NHWBP
11	1	19300	Rod, Piston, 2850
12	1	10909	Pin, Link
13	1	19339	Spacer, 2850, NHWBP
14	2	13386	Screw, Hex Hd Mach, 1/4 - 20x1
15	1	16395-02	End Plug Assy/2850, NHWBP
16	1	19298-01	Piston Assy, 2850, NHWBP, O-ring
Not Shown ...	1	60366-xx	DLFC 1" NPT (not shown) - specify size
Not Shown ...	1	17996	Disperser, Air, Injector
Not Shown ...	1	19608-15	Disperser, Commercial 1 1/2" 2850/2900/9500
Optional Side Mount:			
17	1	40316	Adapter, Sidemount
18	1	40368	O-ring, -160, Sidemount, Flange
19	1	40372	O-ring, -142
20	1	40310	Base, 2850/2900/3930, Rotating
21	7	19768	Screw, Hex Hd, 3/8-16x1, Cap 18-8
22	7	40375	Washer, Flat, 3/8, Type A, N-SERS

* Do not use O-ring if control is side mounted.

8.4 2850SXT Timer Assembly



2850SXT Timer Assembly Parts List

Item No.	Quantity	Part No.	Description
1	1	13881	Bracket, Hinge Timer
3	1	14265	Clip, Spring
4	1	27172	Stand-off, Timer, 2510SXT, 2750SXT
5	1	21363	Screw, Hex HD, M4 X 12 MM
7	1	27168	Bracket, Timer, 2510SE/2750SXT
8	3	13296	Screw, Hex Washer, 6-20 X 1/2
9	1	42778	Timer, SXT, 2510/2750, DF
9A	1	19889	Housing, Circuit Board
9B	1	42196	Circuit Board, SXT
9C	1	42635-01	Cover, Front, SXT, Square
9D	1	42637	Label, Display, SXT
9E	1	42864	Wire Harness, SXT