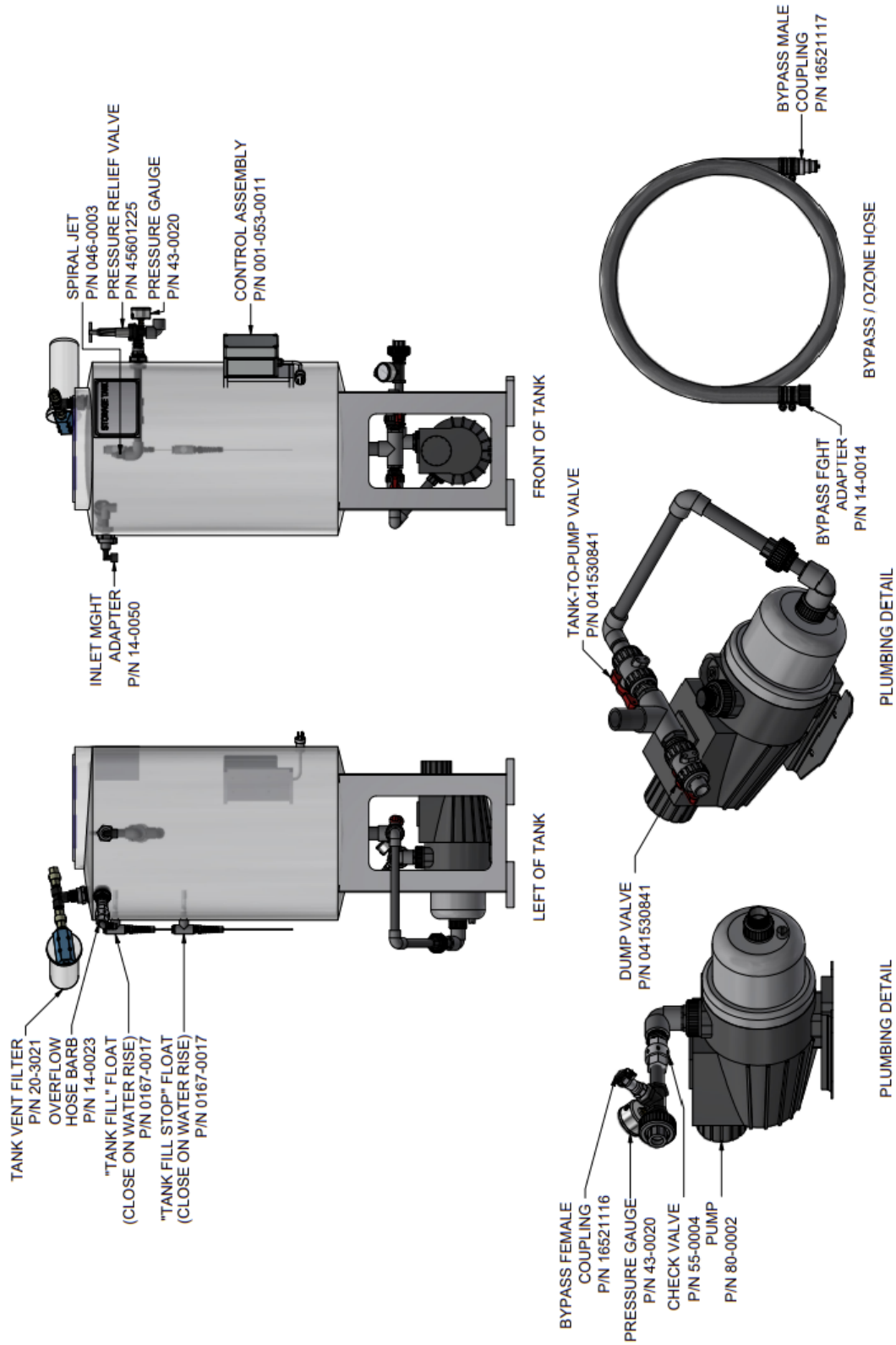
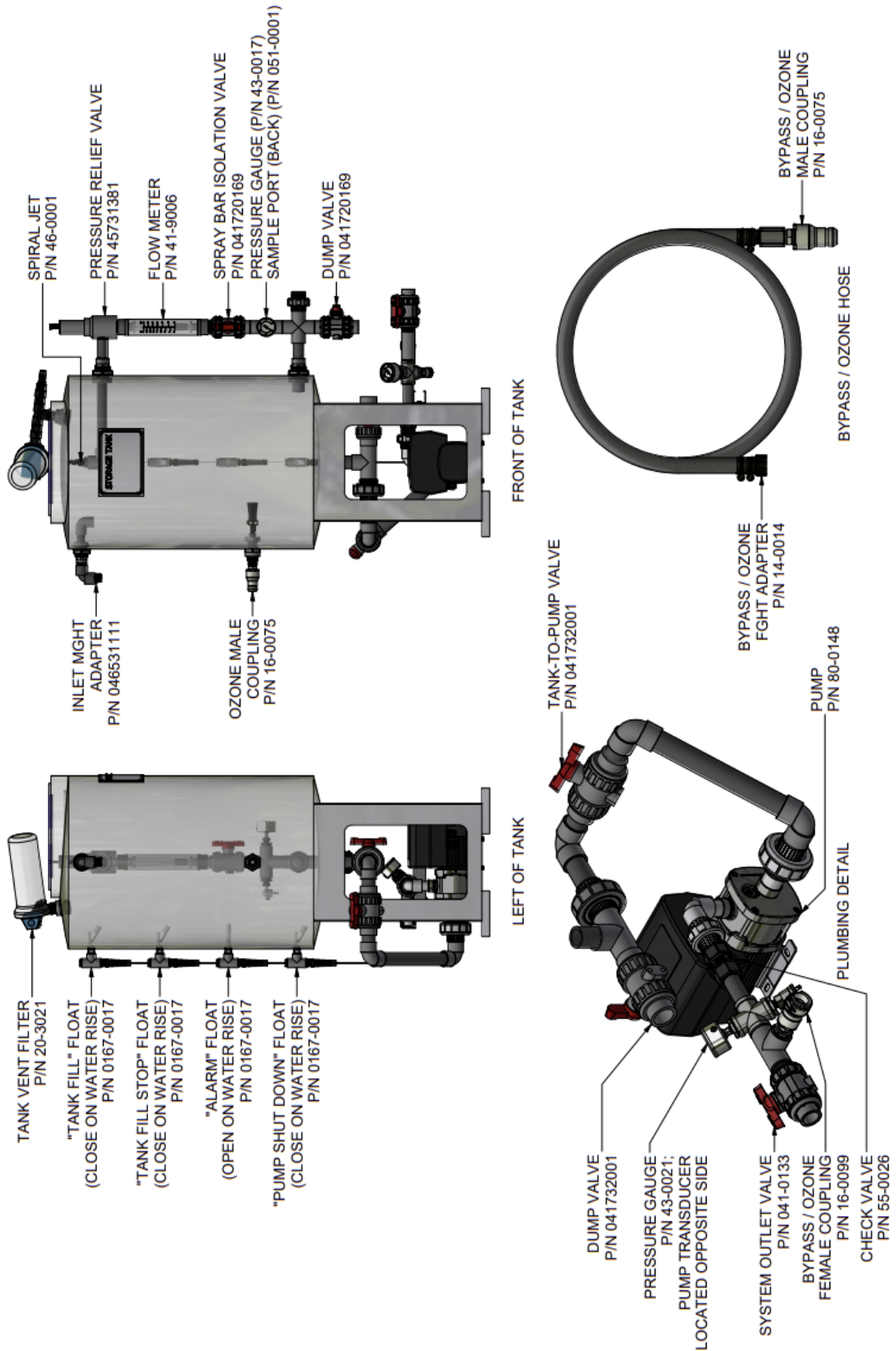


9.4 Component Identification and Spare Parts

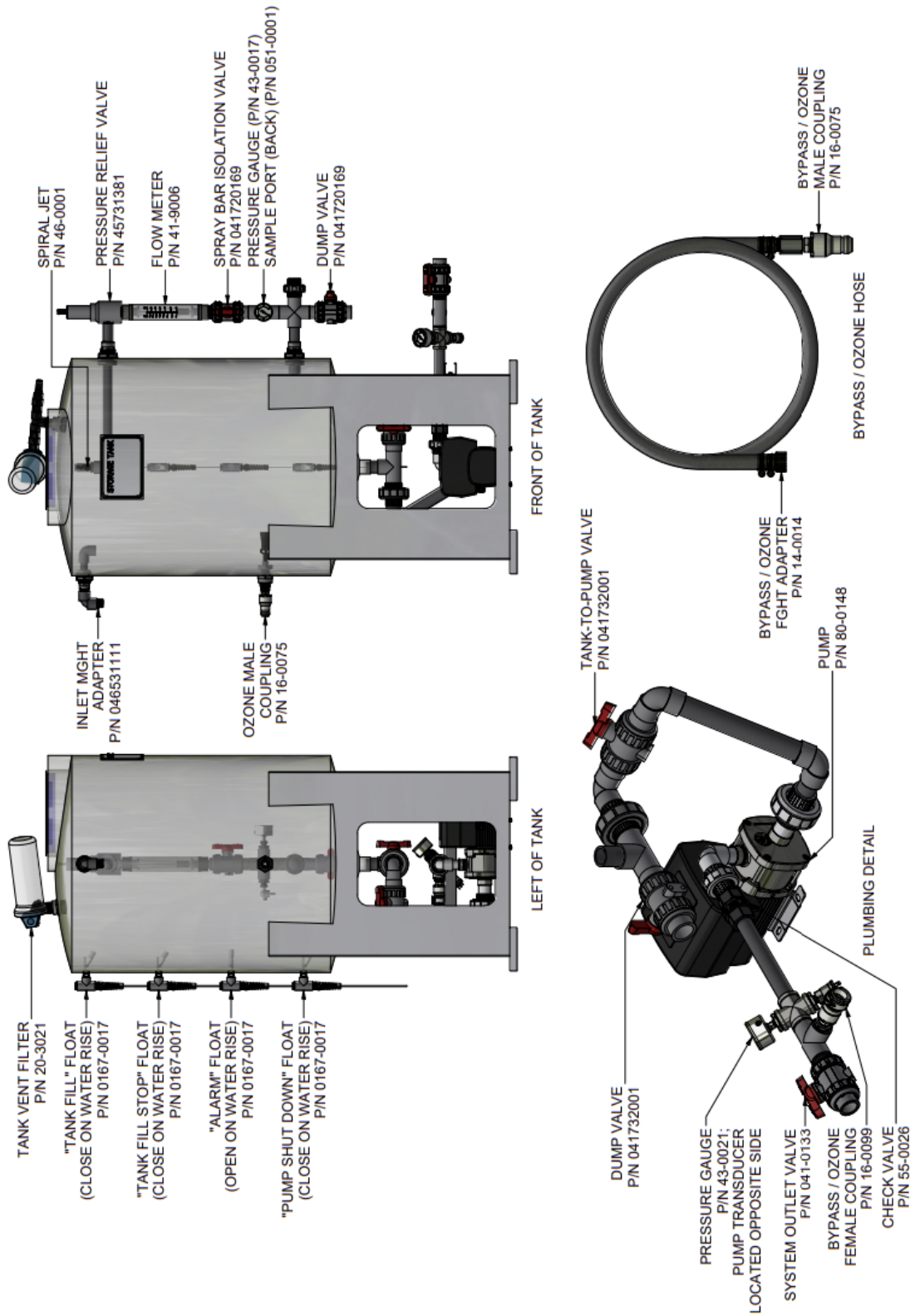
9.4.1 00HC-0090-PRV Models



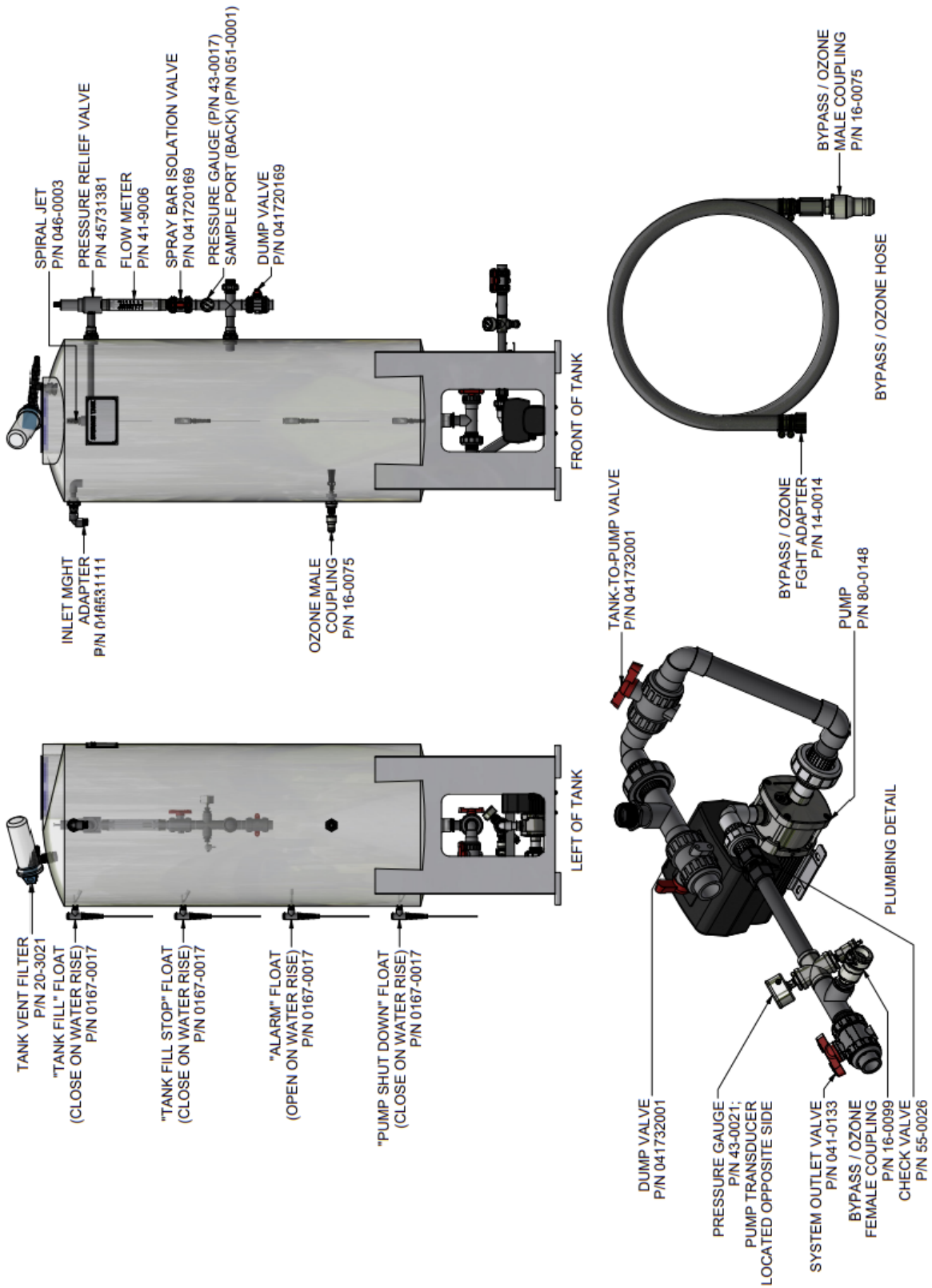
9.4.2 00HC-0091 Models



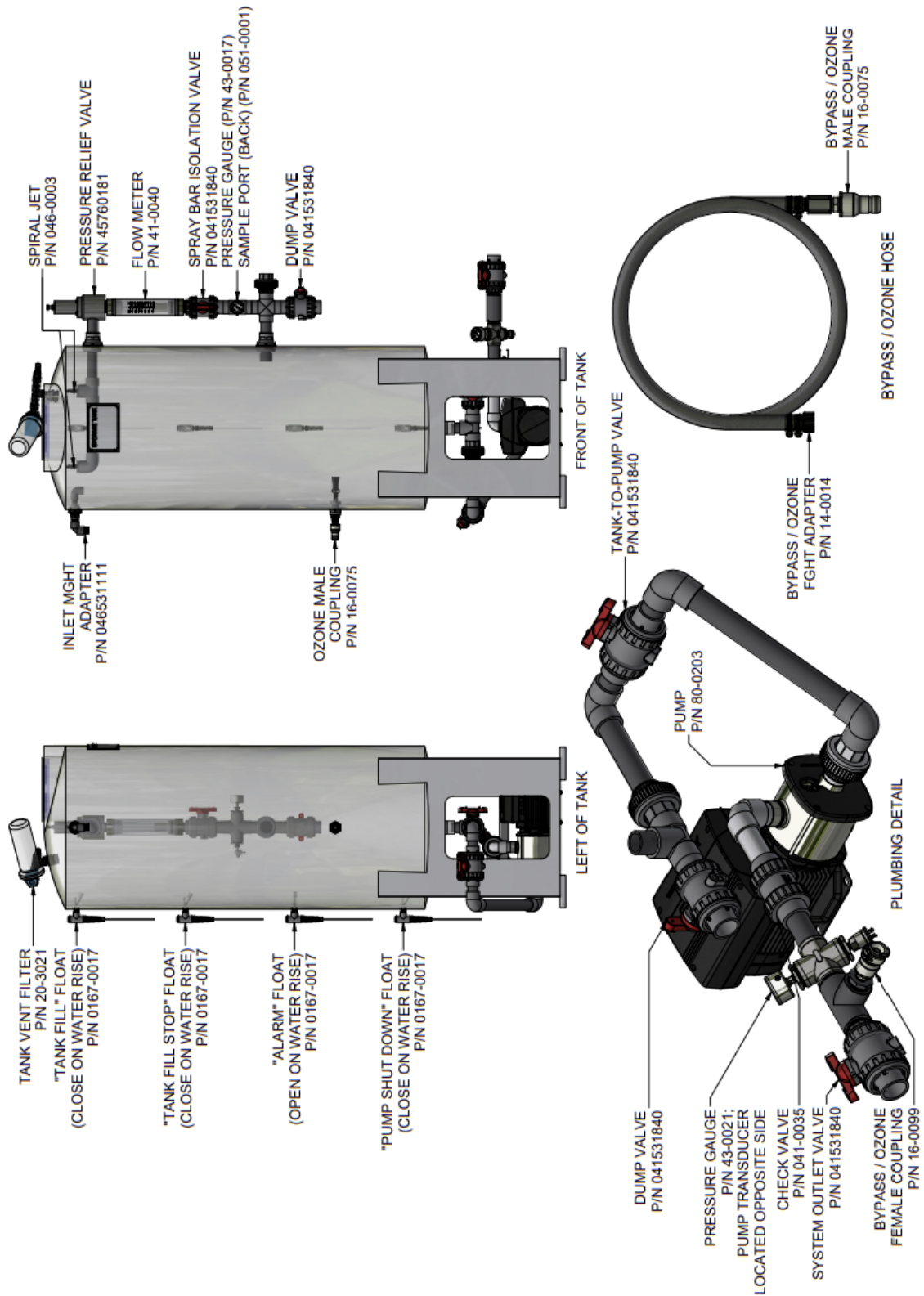
9.4.3 00HC-0093 Models



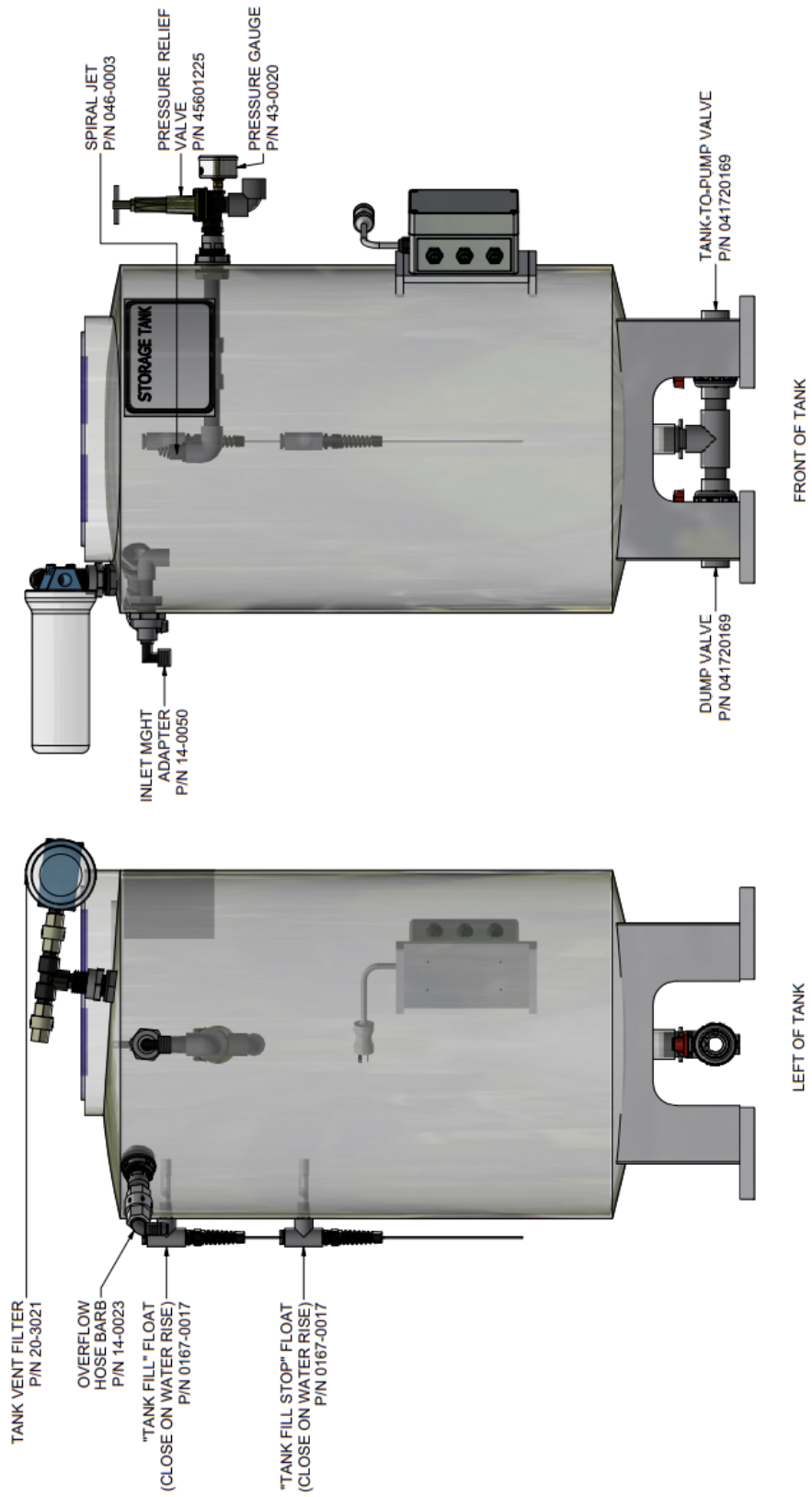
9.4.4 00HC-0095 Models



9.4.5 00HC-0097 Models



9.4.6 0185-8000 Models



9.4.7 Replacement Parts List

AmeriWater uses in-house part numbers to identify components. Some replacement parts are separated from parts used on units and are for customer service requests in the event a component fails, and a replacement is requested. Contact AmeriWater for more information.

Refer to the table below for a list of applicable replacement parts.

AmeriWater P/N	Description
911-0002	PUMP, REPLACEMENT, GRUNDFOS, CME5-3, 208-230V
911-80-0203	PUMP, REPLACEMENT, GRUNDFOS, CME10-2, 208-230V
R167-0017	FLOAT SWITCH, REPLACEMENT, ASSEMBLY, 10' CABLE
13-1075	O-RING, 10.75"x.139", EPDM
85-0063	LID, TANK, 12" GAMMA SEAL, BLUE
21530234	O-RING,FLTR,HSG,#10 & #20 "SLIMLINE",.50 I/O,NO PR, 222 20 & 10"
001-085-0035	TANK, ASSEMBLY, VENT FILTER, 00HC-00/91/93/95/97 MODELS
0185-0070	TANK, ASSEMBLY, VENT FILTER, 00HC-0090-PRV / 0185-8000 MODELS

10 APPENDIX

10.1 Disposal of Electrical Parts



Disposal of the unit or any electrical component from the unit must be in accordance with local requirements in your province or state for the disposal of electrical waste (E-Waste).