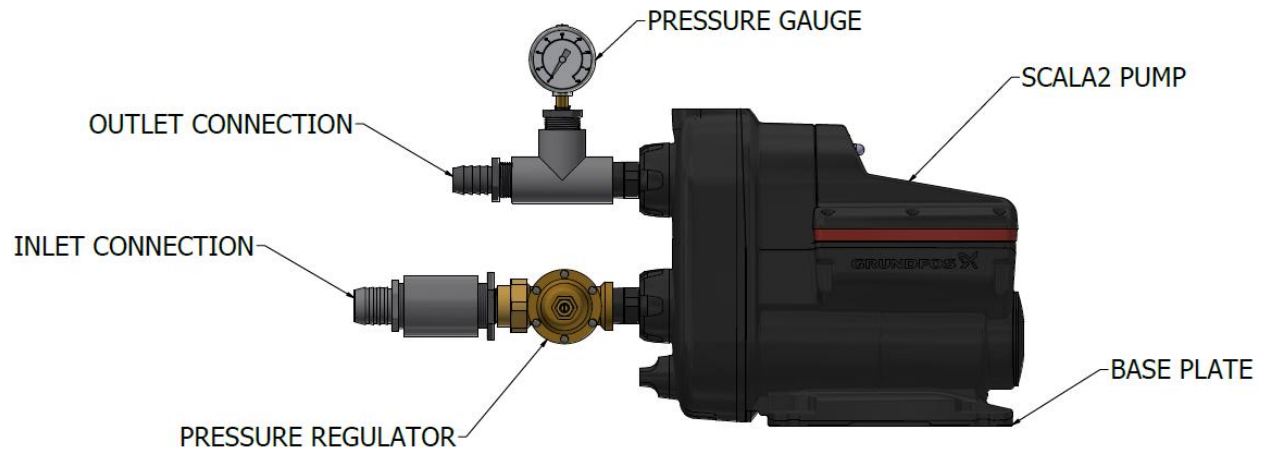


2 COMPONENT IDENTIFICATION



The pressure regulator is designed to reduce incoming water pressure. This regulator has a built-in thermal expansion bypass feature. This feature prevents downstream pressure from rising to more than 10 psi above the supply pressure.

The pressure regulator has been factory preset to 40 psi.

“DO NOT ADJUST PRESSURE”. Failure to comply using a higher pressure will result in damage to the pump.

2.1 Connections

Models	Inlet Connection	Outlet Connection
0080701	1 ¼" Hose Barb	1" Hose Barb
0080702	1 ¼" Hose Barb	1" Hose Barb

2.2 REPLACEMENT PARTS

