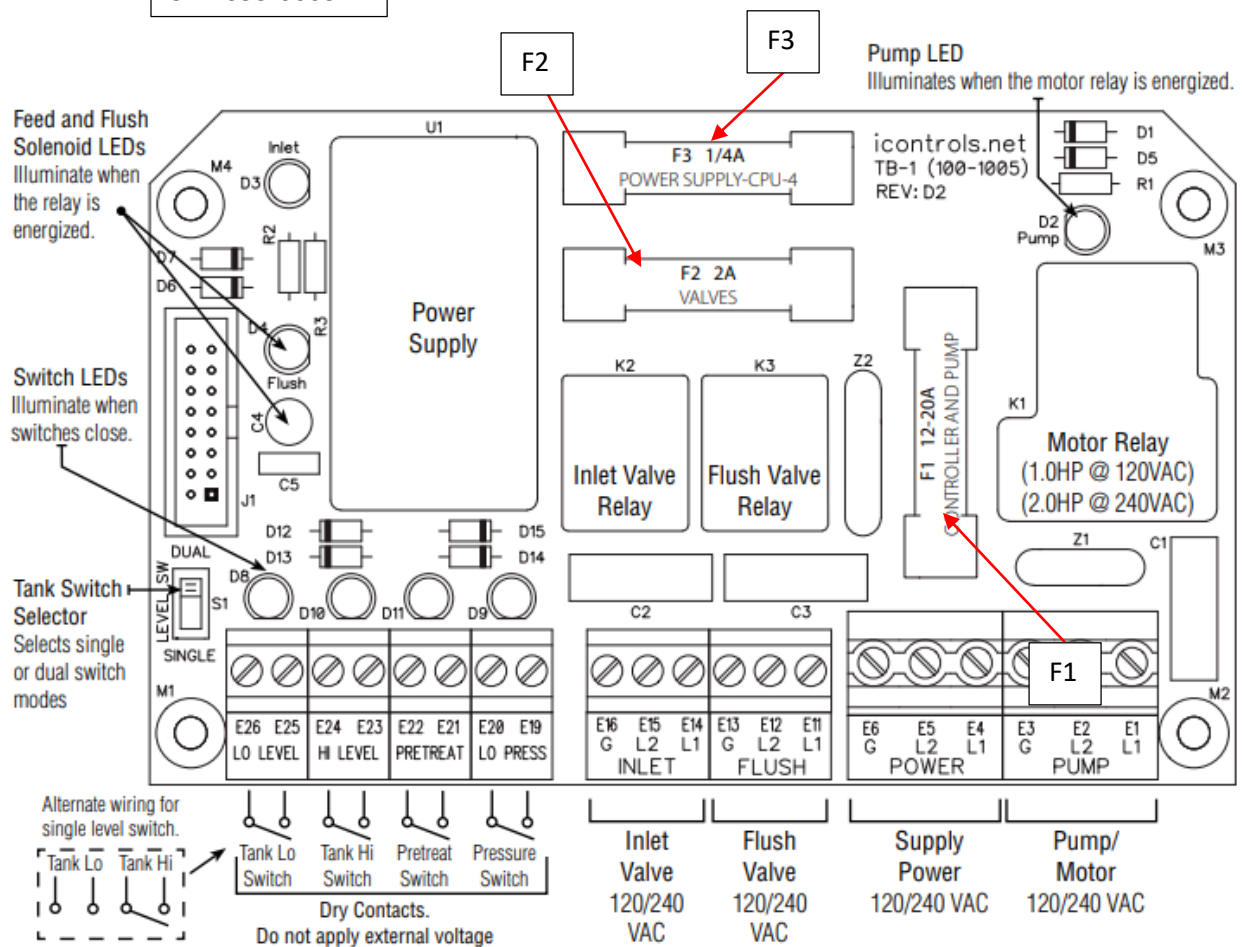
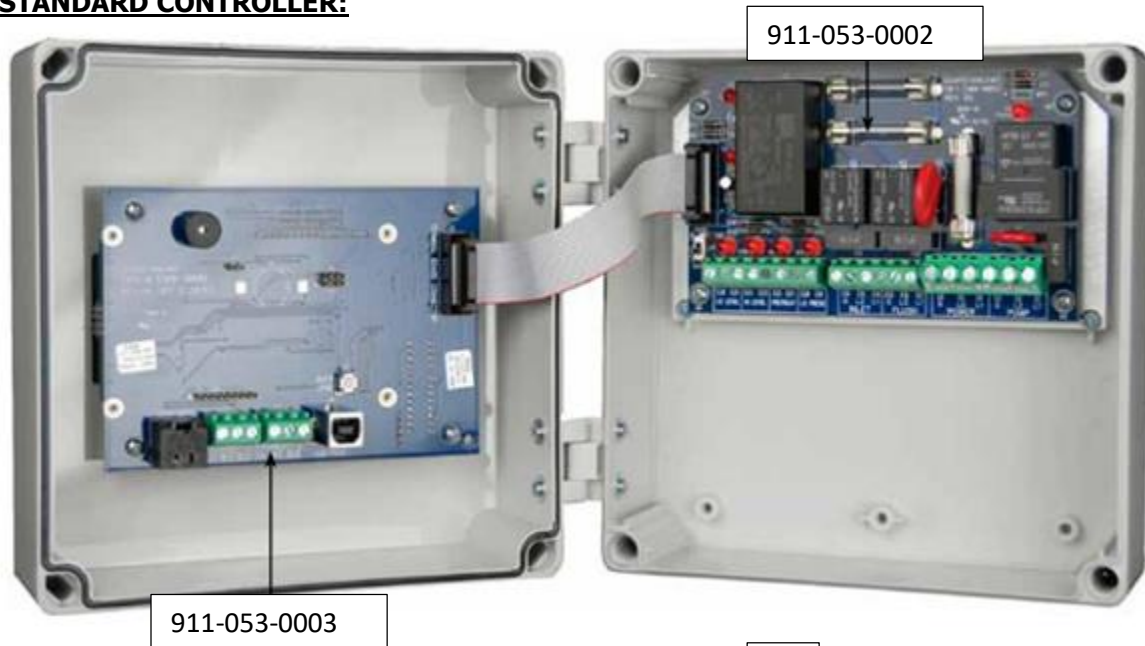


13. SPARE PART LISTING

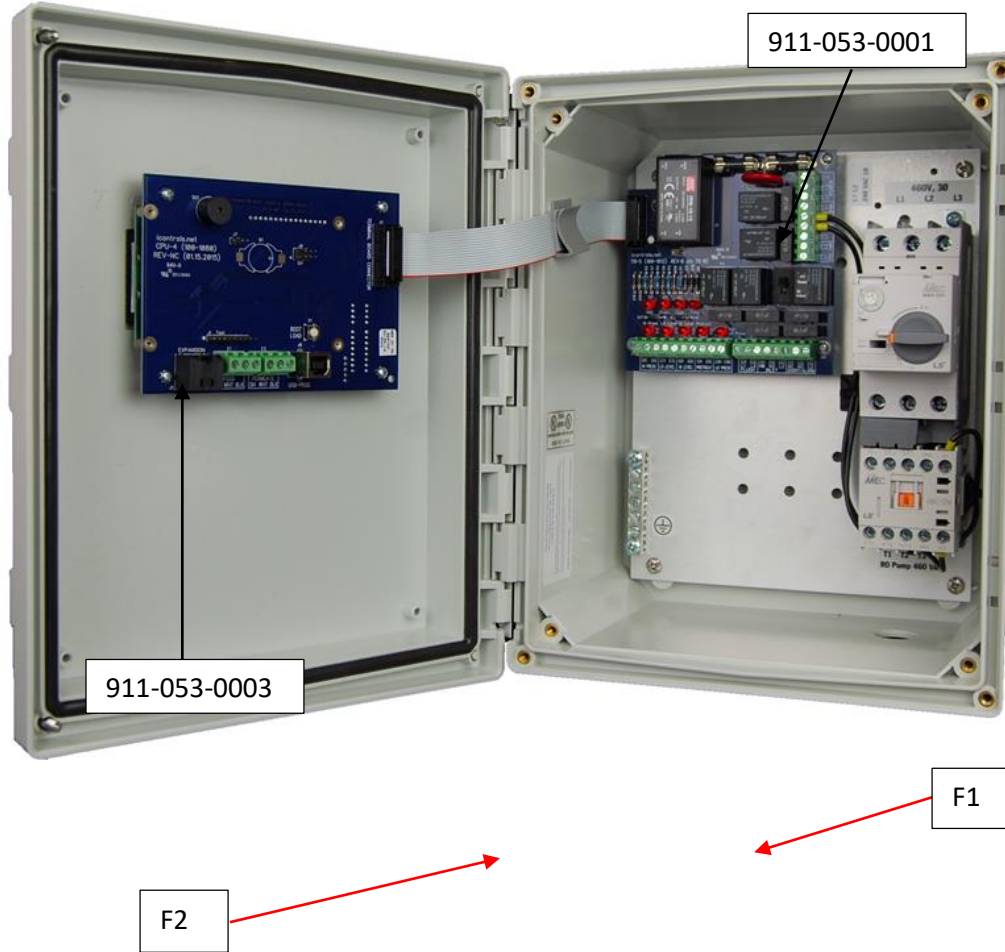
13.1. Controller Board/Fuse Replacements

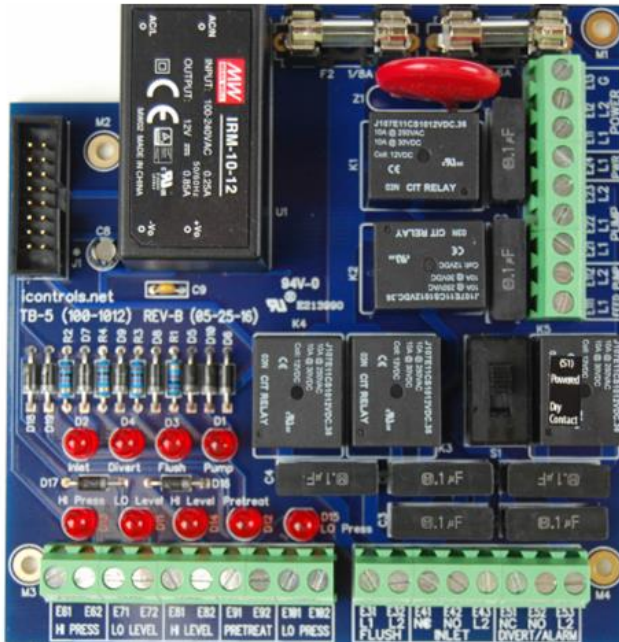
STANDARD CONTROLLER:



FUSE	PART NUMBER	PART DESCRIPTION
F1	063-0003	FUSE,20A,6x32mm,314 SERIES
F2	063-0004	FUSE, 2A, 1/4x1 1/4, TIME DELAY, 3SB SERIES
F3	063-0005	FUSE, .25A, 1/4x1 1/4, TIME DELAY, 3SB SERIES

DELUXE CONTROLLER:



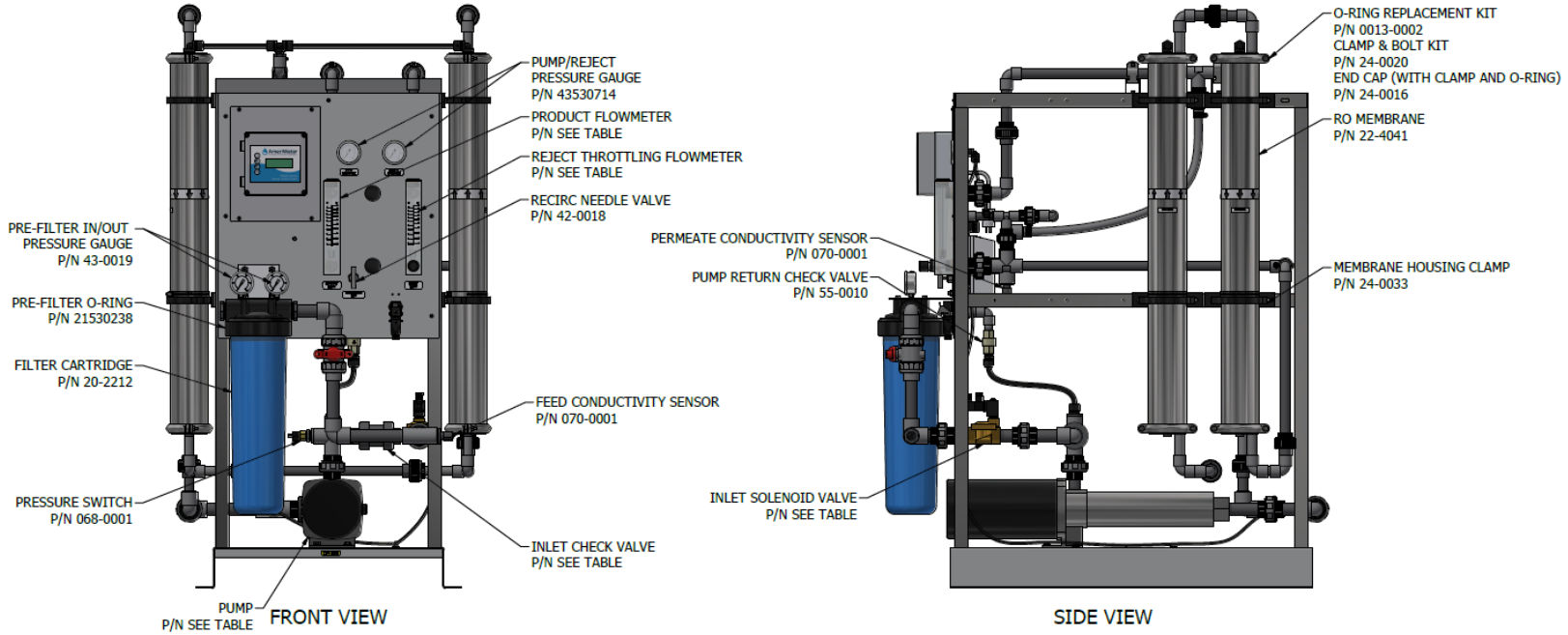


FUSE	PART NUMBER	PART DESCRIPTION
F1	063-0001	FUSE,6A,5x20 mm,234 SERIES
F2	063-0002	FUSE,.125A,5x20 mm, TIME DELAY,218 SERIES

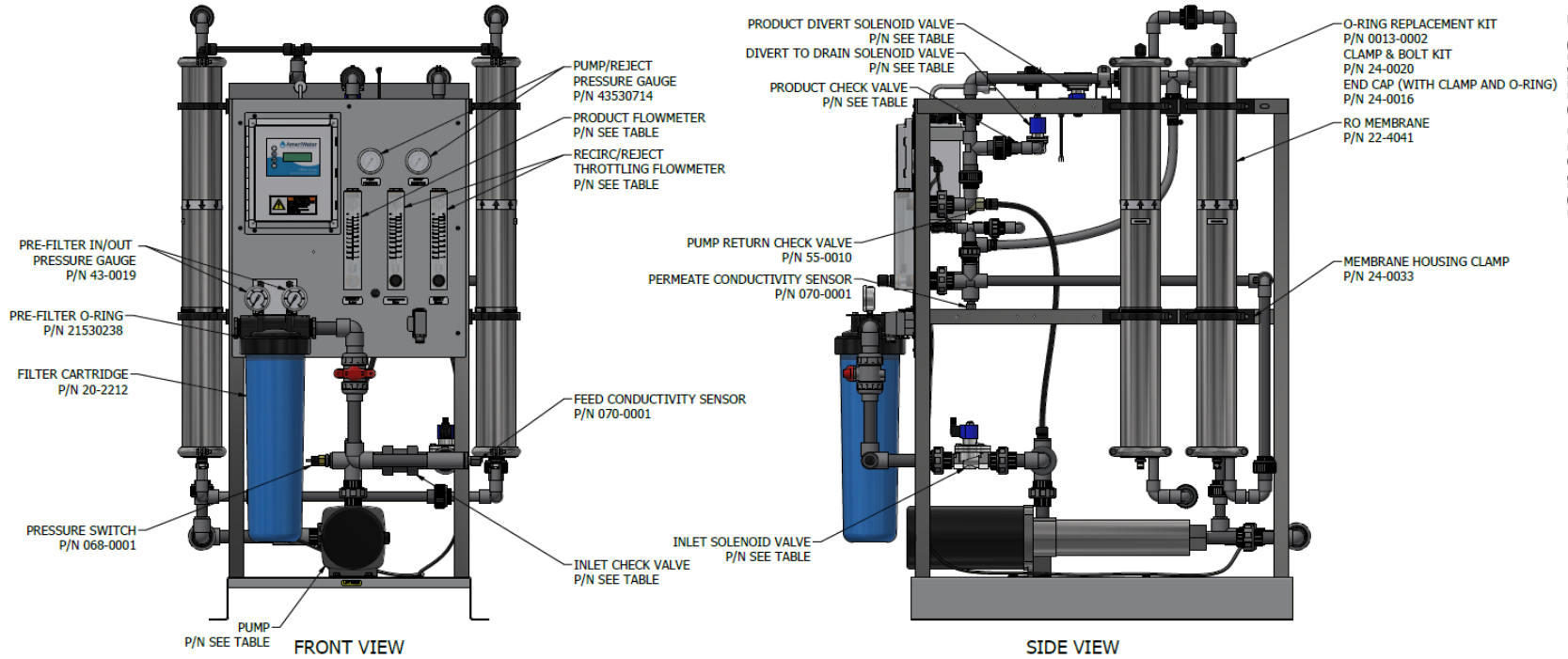
13.2.Consumables

Part Number	Description
16-0073	CPC,EL,.38 PTFXCOUN,NO SHUTOFF,PP,EPDM SEALS (RO membrane profile port adapter)
14530810	TUBING,.375ODX.25ID,PVC,CLEAR (RO membrane profile port adapter)
95-0013	PERACIDIN DISINFECTANT, 4 GALLONS
95-0020	PERACIDIN DISINFECTANT, 1 GALLON
97WS20301	Test Strips Water Soft, Water Hardness (6 bottles of 100 strips each)
97HP20401	Test Strips Peracetic acid Test (6 Bottles of 100 Strips each) For Measuring High Range Paracetic Acid
97PH20901	Test Strips pH (6 Bottles of 100 Strips each) For Measuring pH/Water
97RC22101	WaterCheck RC (6 Bottles of 100 Strips each) For Measuring Residual Chlorine
97CM20201	WaterCheck 2 (6 Bottles of 100 Strips each) For Measuring Low Level Chlorine/Chloramine

13.3 Spare Parts
13.3.1. Standard Model



COMPONENT	000-PRO4-2400-S	000-PRO4-4800-S	000-PRO4-7200-S	000-PRO4-9600-S	000-PRO4-12000-S	000-PRO4-14400-S	000-PRO4-16800-S	000-PRO4-19200-S
PUMP	080-0004	080-0005	080-0006	080-0007	080-0007	080-0008	080-0008	080-0009
REJECT THROTTLING FLOWMETER	41-0022	41-0022	41-0035	41-0035	41-0025	41-0025	41-0025	41-0025
PRODUCT FLOWMETER	041-9002	041-9002	41-0034	41-0034	41-0032	41-0032	41-0032	41-0032
INLET SOLENOID VALVE	59-0025	59-0025	59-0025	59-0028	59-0028	59-0028	59-0028	59-0028
INLET CHECK VALVE	55-0004	55-0004	55-0004	041720168	041720168	041730384	041730384	041730384



COMPONENT	000-PRO4-2400-D	000-PRO4-4800-D	000-PRO4-7200-D	000-PRO4-9600-D	000-PRO4-12000-D	000-PRO4-14400-D	000-PRO4-16800-D	000-PRO4-19200-D
PUMP	080-0004	080-0005	080-0006	080-0007	080-0007	080-0008	080-0008	080-0009
RECIRC/REJECT THROTTLING FLOWMETER	41-0022	41-0022	41-0035	41-0035	41-0025	41-0025	41-0025	41-0025
PRODUCT FLOWMETER	041-9002	041-9002	41-0034	41-0034	41-0032	41-0032	41-0032	41-0032
PRODUCT DIVERT SOLENOID VALVE	59-0006	59-0006	59-0019	59-0019	59-0019	59-0056	59-0056	59-0056
DIVERT TO DRAIN SOLENOID VALVE	59-0002	59-0002	59-0015	59-0015	59-0015	59-0027	59-0027	59-0027
PRODUCT CHECK VALVE	55-0010	55-0010	55-0004	55-0004	55-0004	55-0026	55-0026	55-0026
INLET SOLENOID VALVE	59-0015	59-0015	59-0015	59-0027	59-0027	59-0060	59-0060	59-0060
INLET CHECK VALVE	041831809	041831809	041831809	041720168	041720168	041730384	041730384	041730384