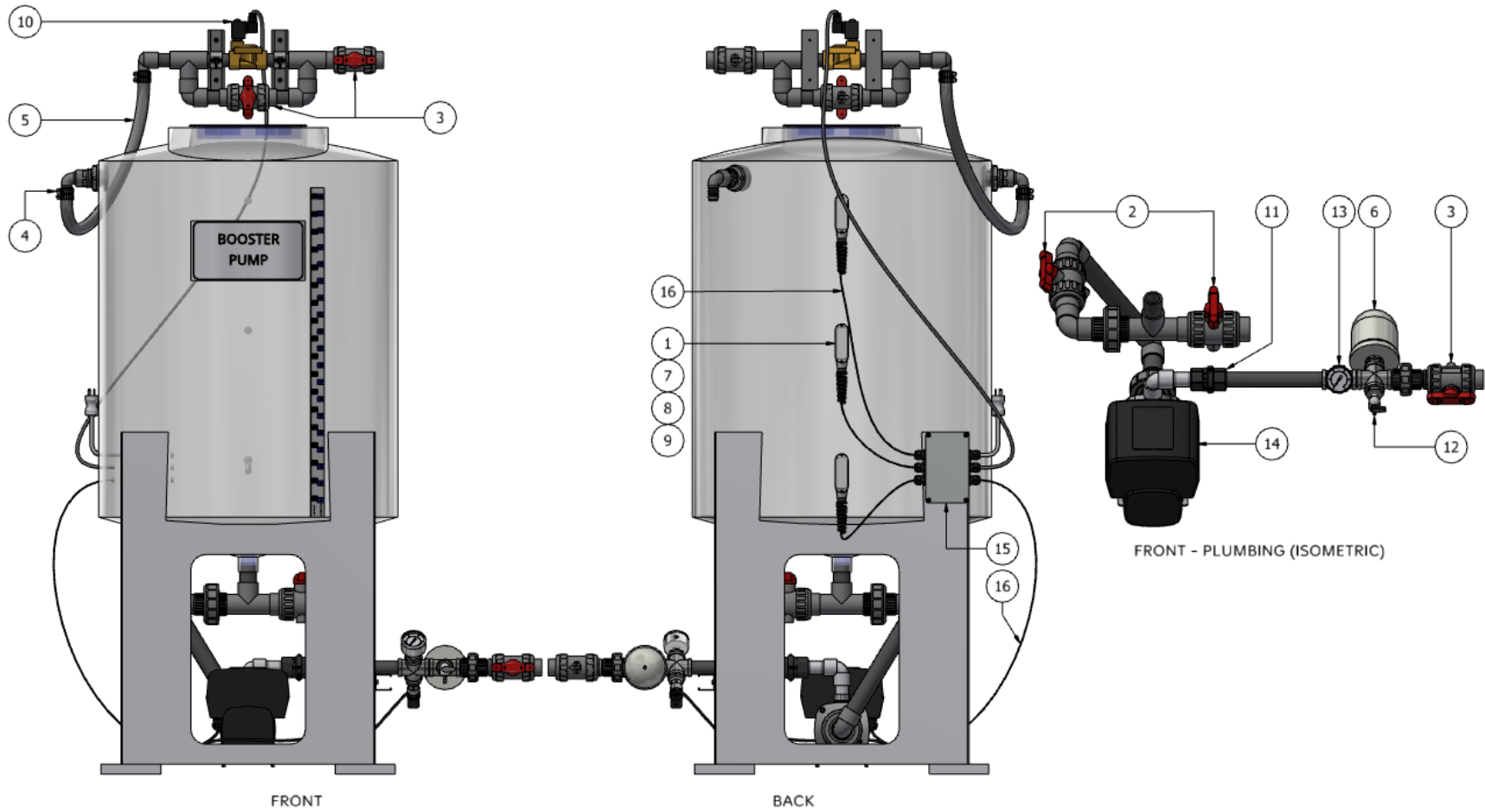
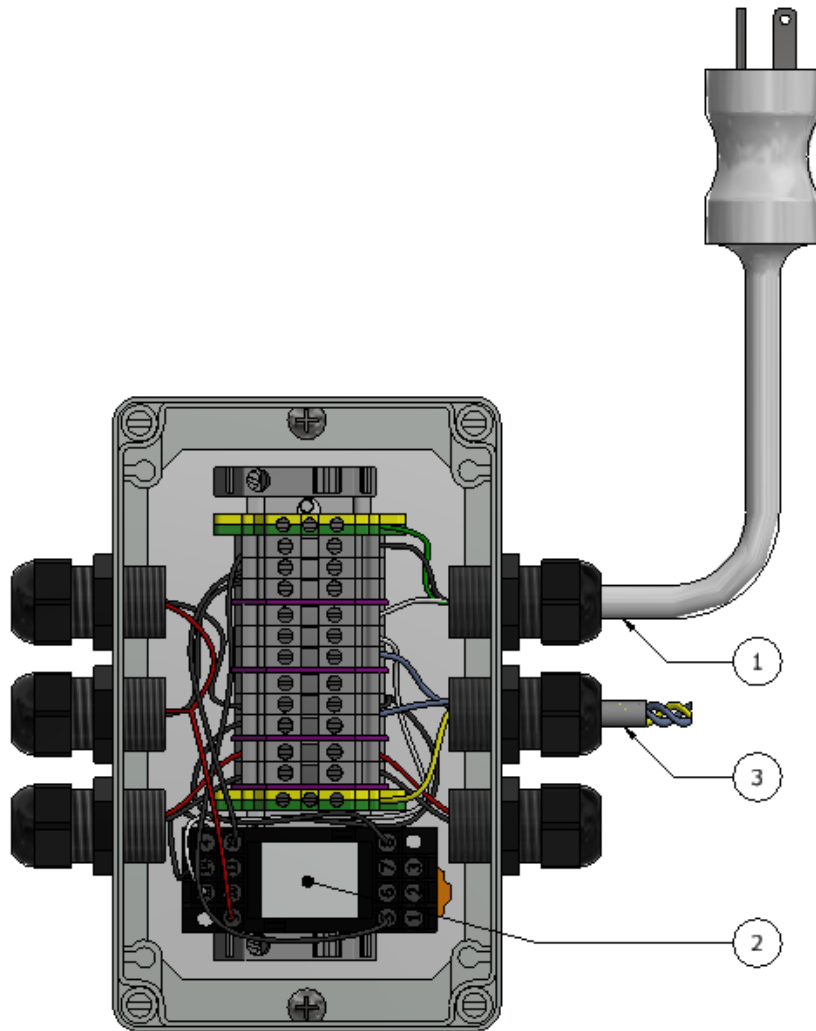


10 REPLACEMENT PARTS





CONTROLLER (FRONT COVER REMOVED)

16	66-0055	WIRE,18AWG,2C
15	001-053-0004	CTRL,ASSY,PUMP,BOOSTER,120VAC
14	001-080-0022	PUMP,ASSY,CME 5-3,1.5HP,1PH,208-230V
13	43-0021	GAUGE,0-100,.25,CBM,2.5,LF,SS/SS
12	051-0001	VAL,BALL,.25" MNPT X .25" HB,90 DEG EL,PP
11	55-0026	VAL,CHECK,1.0 NPT, BLACK, 2 PSI SPRING, PP
10	59-0028	VAL,SOL,1,120V,NC, 3-WIRE,DIN,BRASS
9	66-0165	COND,BODY,FORM 85,TYPE LB,.5,FNPT,AL
8	66-0166	COND,CVR,FORM 85,AL
7	66-0167	COND,GSKT,CVR,FORM 35,NEO
6	85-0068	TANK,PRESSURE,DIAPHRAGM,1 LITER
5	12677135	HOSE,MEDICAL,1",STYLE 5000
4	15650100	CLAMP,HOSE,1,SST
3	041720169	VAL,BALL,1,TU,SOC,PVC80
2	041732001	VAL,BALL,1.25,TU,PVC80
1	66510612	STRAIN REL,1/2"NPT,STRAIGHT,LIQ-TITE,SPIRAL
ITEM	PART NUMBER	DESCRIPTION
SYSTEM PARTS LIST		

3	66-0087	18 GAUGE,3-CONDUCTOR,PVC JACKET
2	64760239	RELAY,ICE CUBE,4PDT,110/120VAC COIL,5A CONTACT
1	66932111	LINE,CORD,120V,14/3,HOSP GRADE,STRIPPED ENDS
ITEM	PART NUMBER	DESCRIPTION
CONTROLLER ITEM LIST		