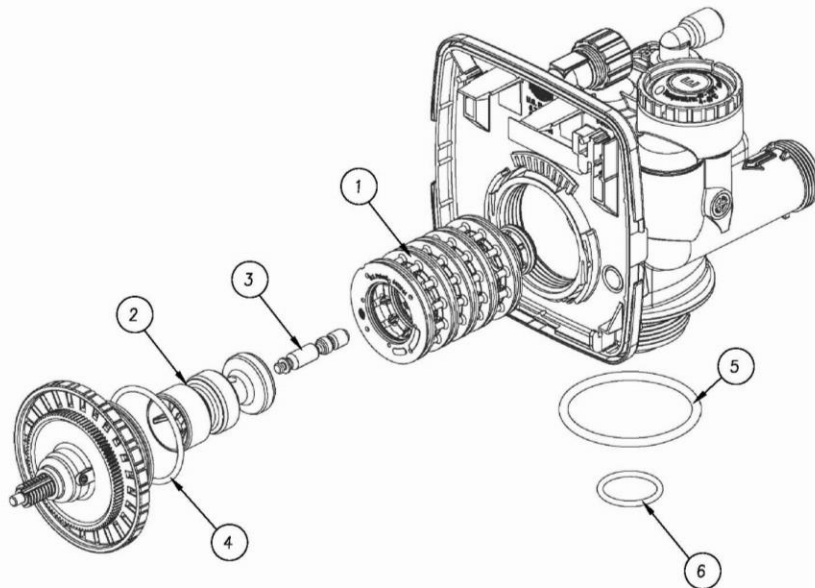
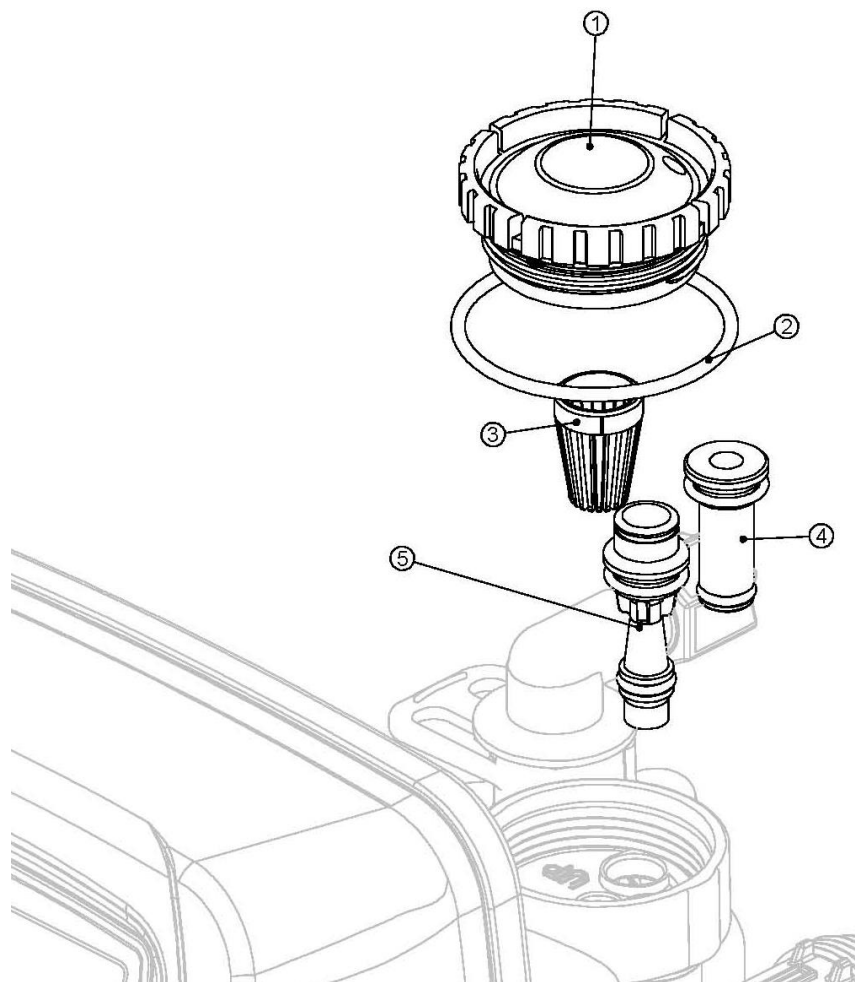


7 PARTS LISTS AND REPAIR DIAGRAMS

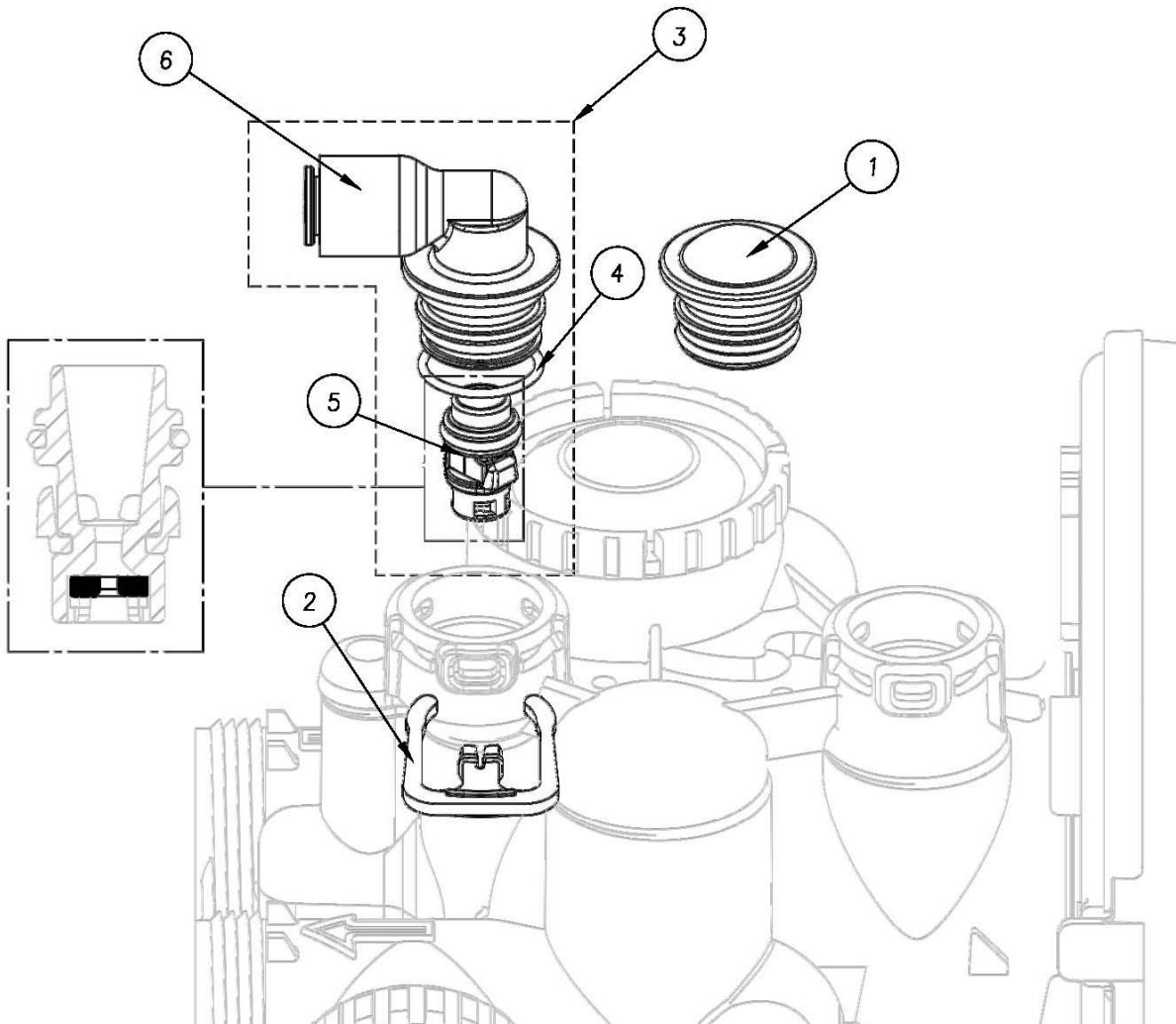
DRAWING NUMBER	ORDER NO.	DESCRIPTION	QUANTITY
1.	050-0319	CLACK,SPACER STACK ASSY,V125DTH	1
2.	050-0320	CLACK,PISTON ASSEMBLY, DOWNFLOW,V125DTH	1
3.	050-0321	CLACK,WS1 REGENERANT PISTON,V125DTH	1
4.	050-0308	O-RING, 228,CLACK V125DTH, KIT FOR ALL O-RINGS IS 911-50-0385	1
5.	050-0310	O-RING, 337,CLACK V125DTH, KIT FOR ALL O-RINGS IS 911-50-0385	1
6.	050-0312	O-RING, 219,CLACK V125DTH, KIT FOR ALL O-RINGS IS 911-50-0385	1
7. NOT SHOWN	050-0307	CIRCUIT BOARD,CLACK V125DTH,EE PROGRAM LOGIC	1
8. NOT SHOWN	50-0405	CLACK,WS1 AUXILIARY MICROSWITCH ASSEMBLY	1
9. NOT SHOWN	050-0328	CLACK,MOTOR ASSY,V125DTH	1
10. NOT SHOWN	911-50-0385-0002	KIT,DOWNFLOW PISTON AND SPACER STACK ASSY,CLACK V125DTH	1
11. NOT SHOWN	911-50-0385-0005	KIT,MOTOR AND CIRCUIT BOARD ASSY,CLACK V125DTH	1



DRAWING NUMBER	ORDER NO.	DESCRIPTION	QUANTITY
1.	050-0317	CLACK,INJECTOR CAP,V125DTH	1
2.	050-0309	O-RING, 135,CLACK V125DTH, KIT FOR ALL O-RINGS IS 911-50-0385	1
3.	050-0318	CLACK,INJECTOR SCREEN CAGE,V125DTH	1
4.	50-0411	CLACK,INJECTOR,PLUG,V125DTH	1
5.	50-0386	CLACK,INJECTOR,V125DTH,BLUE,0.9GPM TOTAL FLOW (10x54 Tank)	1
	50-0387	CLACK,INJECTOR,V125DTH,GREEN,1.23GPM TOTAL FLOW (14x47,14x65,16x65 Tanks)	1
	50-0388	CLACK,INJECTOR,V125DTH,ORANGE,1.7GPM TOTAL FLOW (18x65 Tank)	1
	50-0389	CLACK,INJECTOR,V125DTH,LIGHT BLUE,2.1GPM TOTAL FLOW (21x62 Tank)	1
6. NOT SHOWN	911-50-0385-0001	KIT,INJECTOR CAP,SCREEN AND PLUG ASSY,CLACK V125DTH	1



DRAWING NUMBER	ORDER NO.	DESCRIPTION	QUANTITY
1.	50-0412	CLACK,BRINE REFILL,PLUG,V125DTH	1
2.	050-0322	CLACK,ELBOW LOCKING CLIP,REFILL FLOW CONTROL ASSY,V125DTH	1
3.	050-0323	CLACK,ELBOW 3/8" LIQUIFIT,REFILL FLOW CONTROL ASSY,V125DTH	1
4.	050-0314	O-RING, 019,CLACK V125DTH, KIT FOR ALL O-RINGS IS 911-50-0385	1
5.	050-0324	CLACK,REFILL FLOW CONTROL RETAINER ASSY,V125DTH	1
6.	050-0316	ELBOW,.38 LIQUIFIT ASSY, WITH REFILL FLOW CONTROL	1
7. NOT SHOWN	911-50-0385-0003	KIT,REFILL FLOW CONTROL ASSY,CLACK V125DTH	1



DRAWING NUMBER	ORDER NO.	DESCRIPTION	QUANTITY
1. NOT SHOWN	050-0326	CLACK,DRAIN LINE ASSY,3/4 INCH,V125DTH	1
2. NOT SHOWN	050-0327	CLACK,DRAIN LINE ASSY,1 INCH,V125DTH	1
3. NOT SHOWN	50-0392	CLACK,DRAIN LINE FLOW CONTROL,2.7GPM,V125DTH (10x54 Tank)	1
4. NOT SHOWN	50-0393	CLACK,DRAIN LINE FLOW CONTROL,5.3GPM,V125DTH (14x47, 14x65 Tank)	1
5. NOT SHOWN	50-0394	CLACK,DRAIN LINE FLOW CONTROL,6.5GPM,V125DTH (14x47, 14x65,16x65 Filter Tank)	1
6. NOT SHOWN	50-0395	CLACK,DRAIN LINE FLOW CONTROL,9.0GPM,V125DTH (18x65 Tank)	1
7. NOT SHOWN	50-0396	CLACK,DRAIN LINE FLOW CONTROL,11.0GPM,V125DTH (21x62 Tank)	1
8. NOT SHOWN	50-0397	CLACK,DRAIN LINE FLOW CONTROL,15.0GPM,V125DTH (21x62, 24x65,24x72 Filter Tank)	1
9. NOT SHOWN	50-0398	CLACK,DRAIN LINE FLOW CONTROL BODY,1 INCH,V125DTH (21x62, 24x65,24x72 Filter Tank)	1
10. NOT SHOWN	50-0399	CLACK,DRAIN LINE FLOW CONTROL,10.0GPM,V125DTH (16x65,18x65 Filter Tank)	1
11. NOT SHOWN	50-0400	CLACK,DRAIN LINE FLOW CONTROL,7.5GPM,V125DTH (16x65 Tank)	1

DRAWING NUMBER	ORDER NO.	DESCRIPTION	QUANTITY
1.	50-0403	CLACK, WRENCH, REPAIR AND BREAK APART, V125DTH	1

