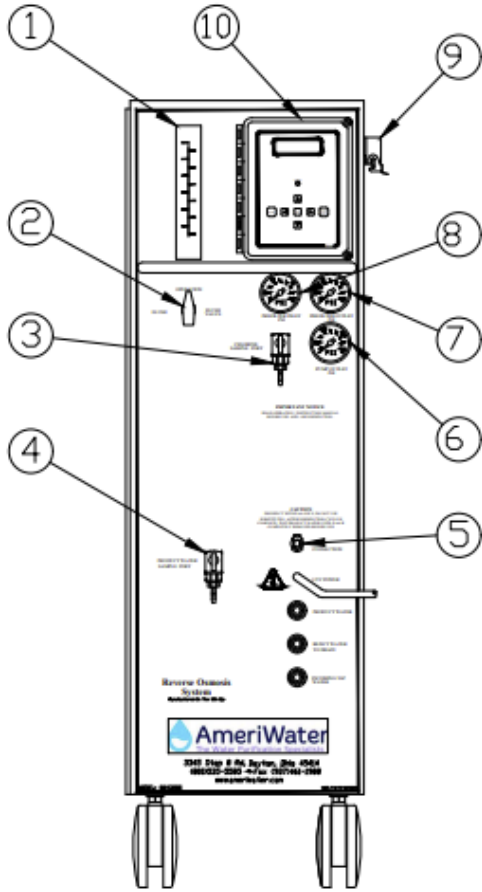
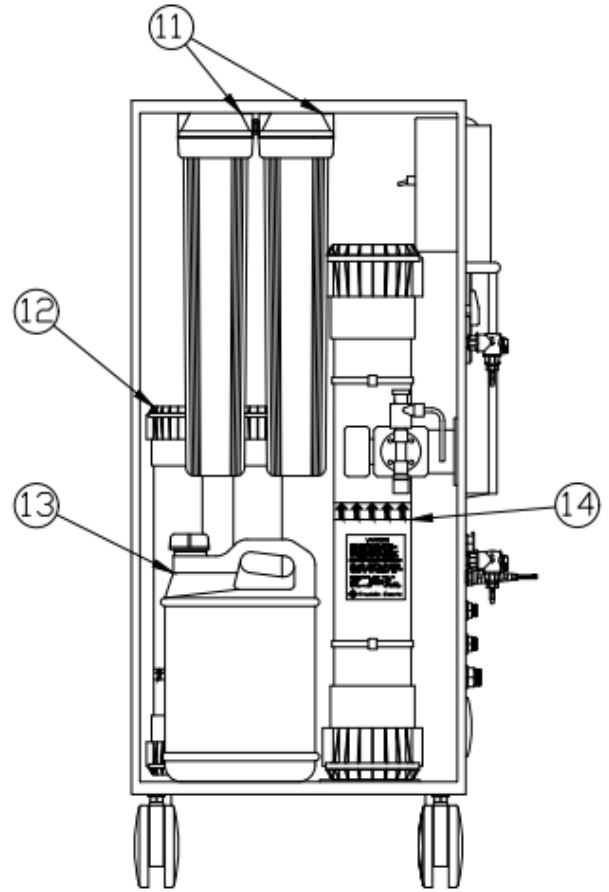


**11 SPARE PARTS LISTING**

<b>Item #</b>	<b>Description</b>	<b>Part Number</b>
1	Flow Meter .1 To 1 Gpm Blue	41530609
2	Valve Assembly, Flush, Reject Loop, RO	0142-0002
3	Test Port, Chlorine, ROS	0148-0004
4	Test Port, Product Water, ROS	0148-0005
5	Q-Con, CPC, Female Coup W/Shutoffx.25hb, PAA Front Panel Connection	16-0042
6	0 - 300 PSI Pump Pressure Gauge	430001
7	0 - 100 PSI Pressure Gauge	430002
8	Switch Assembly, Pressure, Pre-Filter, Inlet Gauge, RO, Legris Fittings	0168-0002
9	Side Entry Hood	0167-0016
10	Controller	69446010
11	Filter Housing (20")	21-0032
12	Membrane	R22-2521
13	PAA Bottle Assembly 1 Gal Bottle	0185-0020
14	ROS Pump Assembly	R080-0001
N/A	Carbon Block Filter (10 micron block, 2.5" X 20")	20-5102
N/A	Peracidin Disinfectant, 4 Quarts	95-0007
N/A	PT401 Antiscalant, 4 Gallons	95810125
N/A	High Range Peracetic Acid Test Strips	97HP20401
N/A	Low Range Peracetic Acid Test Strips	97PX20501
N/A	O-Ring Kit for 21-0032 Filter Housing (20")	0013-0001
N/A	Membrane Housing O-Ring Set	24-0015
N/A	PT401 Pump Assembly	R84-0002
N/A	Wire Harness for Solenoid Valves	69932109
N/A	Mini-relief Valve	R45760200
N/A	Normally Closed Solenoid Valve	R59-0012
N/A	Incoming Pressure Switch	R65511105



**Reverse Osmosis System Front View**



**Reverse Osmosis System Rear View**