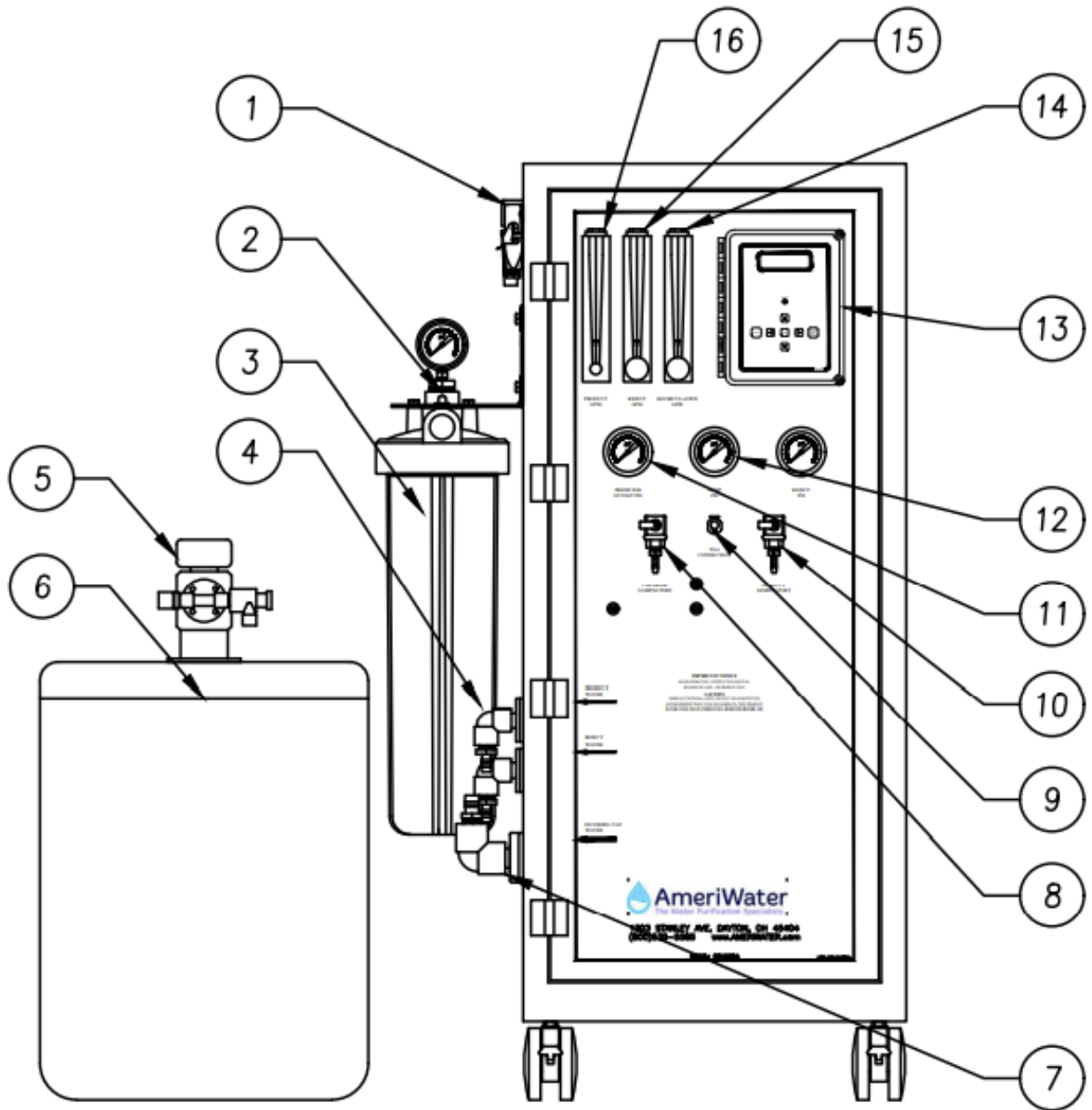
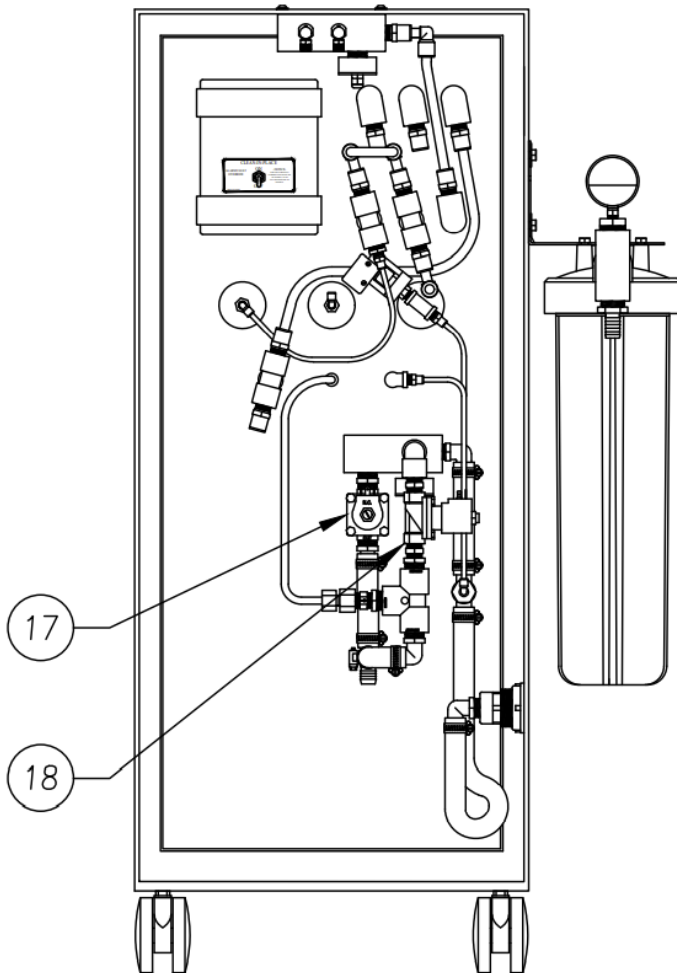


11 SPARE PARTS LISTING

Item #	Description	Part Number
1	Side Entry Hood	0167-0016
2	0 – 100 PSI Pre-Filter Inlet Pressure Gauge	43-0019
3	Filter Housing(20")	21675175
4	ADPT,.5MPTx.5HB,PP	14520506
5	PT401 Pump Assembly	R84-0002
6	PT401 Anti-scalant, 4 Gallons	95810125
7	ADPT,.75MPTx.75HB,PP	14570115
8	Chloramine Sample Port	0148-0008
9	Q-Con, CPC, Female Coup W/Shutoffx.25hb, PAA Front Panel Connection	16-0042
10	Product Sample Port, HCRO3 & 4	0148-0010
11	0 – 160 PSI Pressure Pre-Filter Outlet Gauge	43821445
12	0 – 300 PSI Pump / Reject Pressure Gauge	43530714
13	Controller	69446010
14	Recirculation Flowmeter Assembly, HCRO3 & 4	0141-0006
15	Reject Flowmeter Assembly, HCRO3 & 4	0141-0005
16	Product Flowmeter Assembly, HCRO3 & 4	0141-0004
17	Normally Closed Solenoid Valve - Inlet	R59-0002
18	Normally Open Solenoid Valve - Disinfect Draw	R59-0015
19	RO Pump Assembly	R080-0003
20	Membrane	R22-4026
N/A	Carbon Block Filter (10 micron block, 4.5" X 20")	20-5105
N/A	Peracidin Disinfectant, 4 Quarts	95-0007
N/A	High Range Peracetic Acid Test Strips	97HP20401
N/A	Low Range Peracetic Acid Test Strips	97PX20501
N/A	Filter Housing O-Ring	21530238
N/A	Membrane Housing O-Ring Set	24-0026
N/A	Wire Harness for Solenoid Valves	66932109
N/A	Incoming Pressure Switch	R65-0014



FRONT PANEL



MEMBRANES & PUMP
INSTALLED

